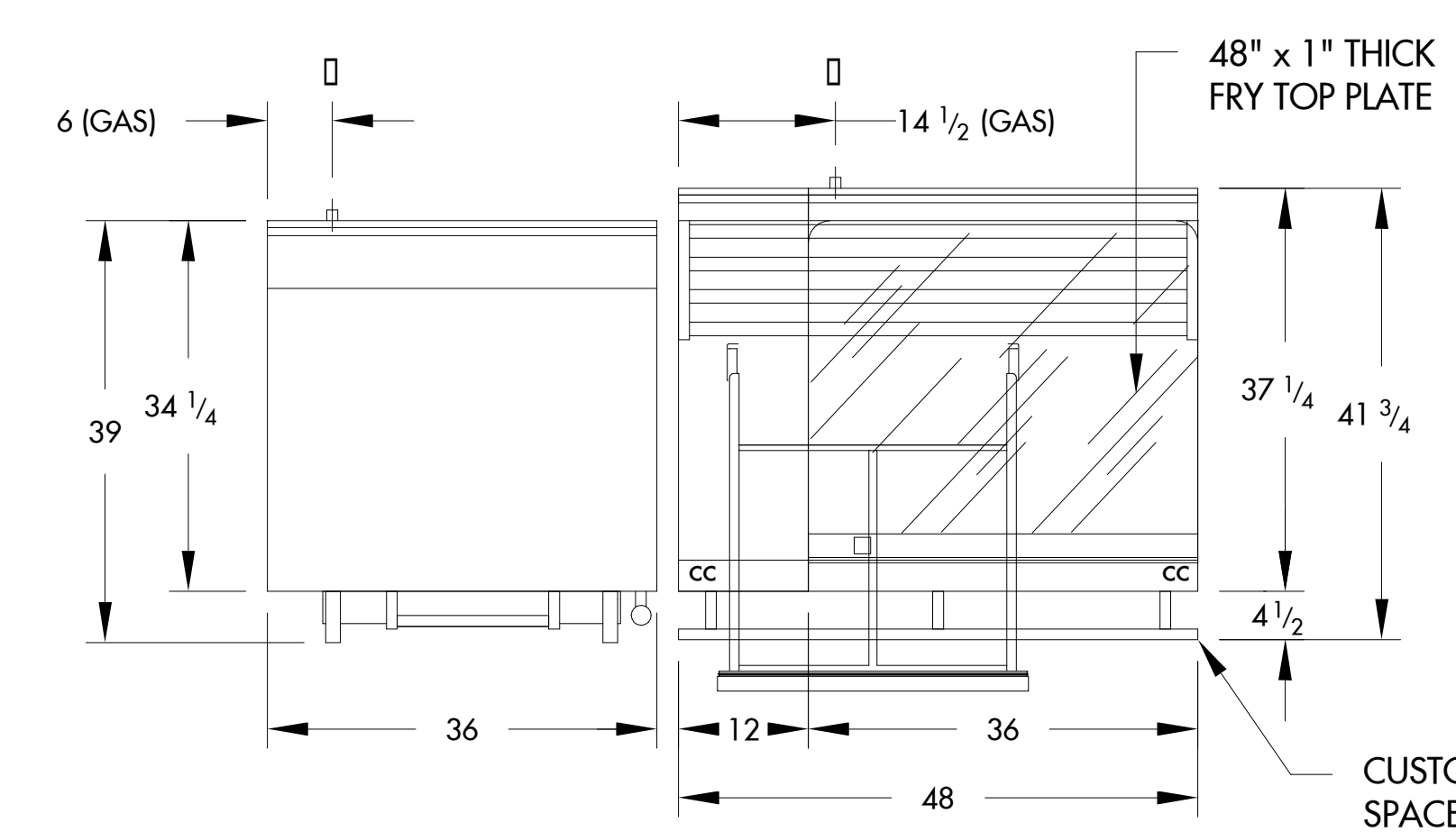
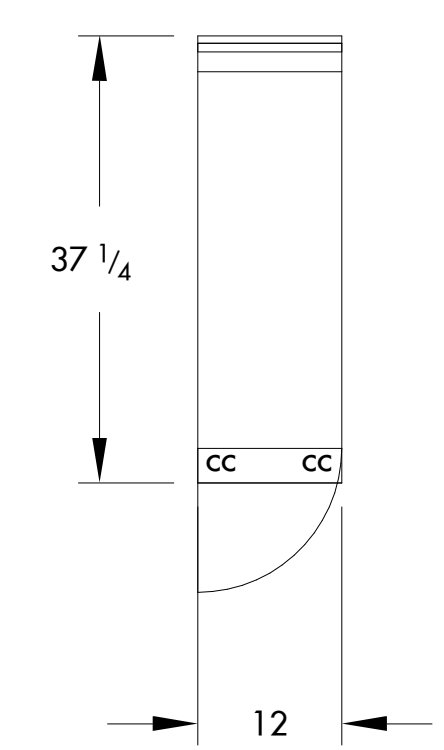
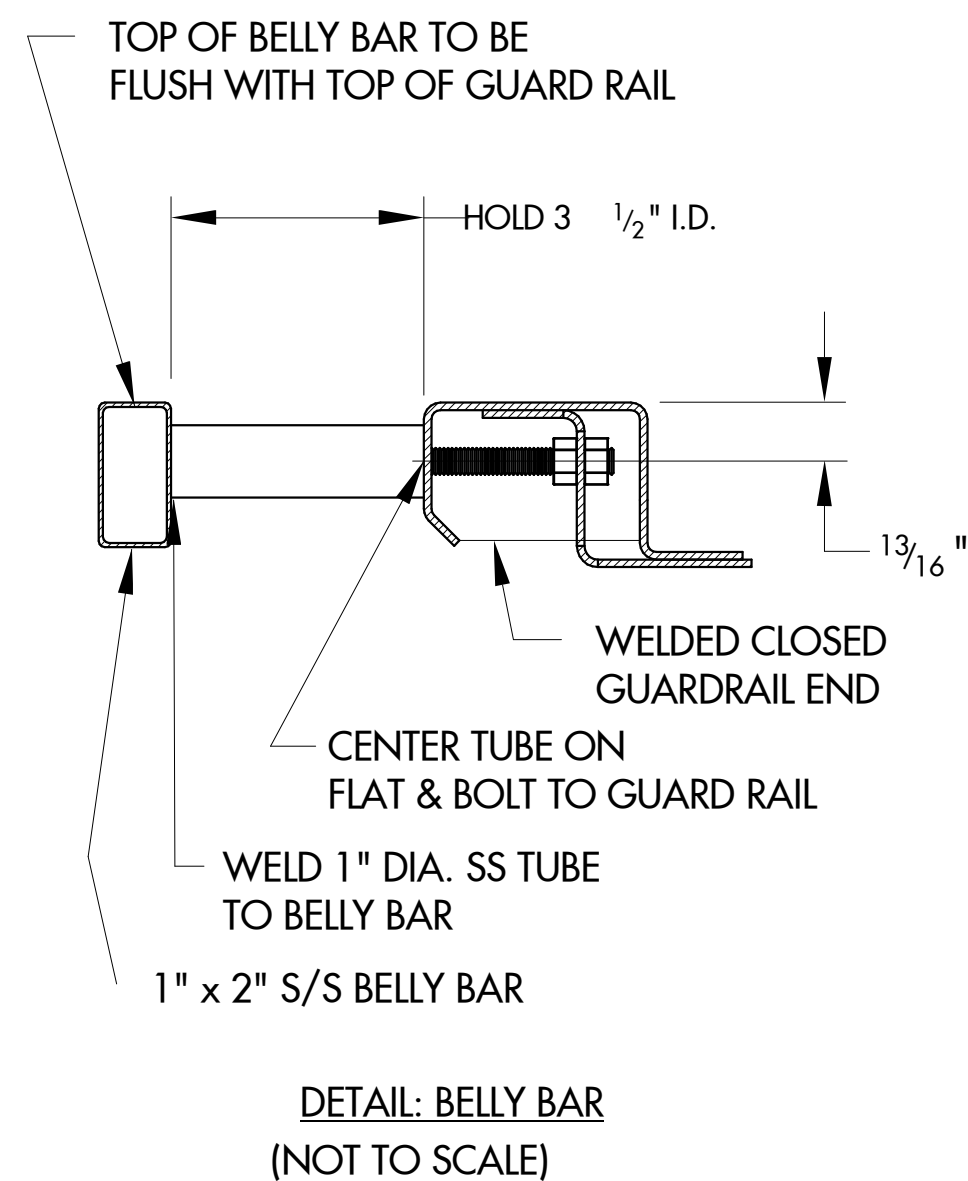
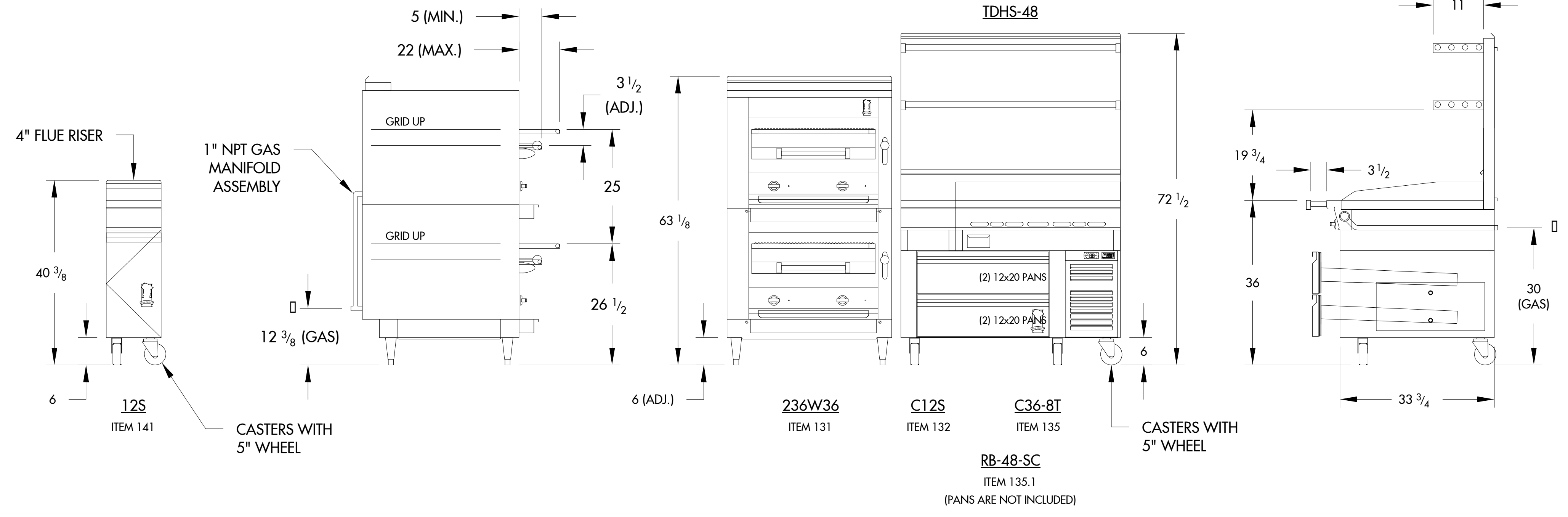
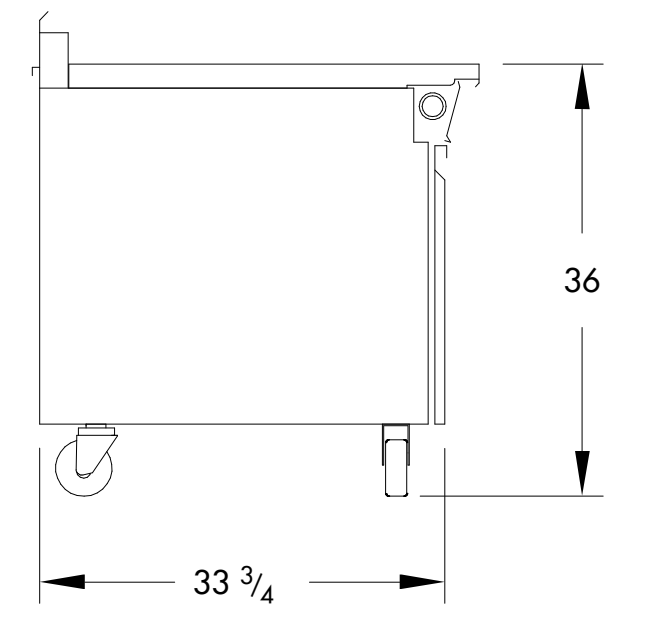


REV	BY	DATE	DESCRIPTION
1	JA	9-9-20	CUSTOMER CHANGES
2	CWB	12-18-20	NEW DESIGN



CUSTOM BELLY BAR SPACED TO ACCOMMODATE 1/9 x 4\"/>



UTILITY DATA					
MODEL	ITEM	QTY.	GAS SIZE	B.T.U./Hr.	ELECTRIC
12S	141	1			
236W36	131	1	1\"/>		
C12S	132	1			
C36-8T	135	1	1\"/>		
RB-48-SC	135.1	1			1/3 HP, 7.74 AMPS, 115/60/1, 6' CORD w/NEMA 5-15P
EQUIPMENT TOTAL: GAS; NATURAL @ 6\"/>					

PRODUCTION SUBMITTAL

CUSTOMER APPROVAL

APPROVED AS SUBMITTED
 REVISE AND RESUBMIT

SIGNATURE: _____ DATE: _____

PRINT NAME: _____

SALES APPROVAL

SIGNATURE: _____ DATE: _____

NOTE: GUARD RAIL IS NOT DESIGNED TO SUPPORT EXCESSIVE WEIGHT ON THE BELLY BAR, NOR IS IT SUITABLE FOR USE AS A LIFTING HANDLE.

	PROPRIETARY RIGHTS: THIS DOCUMENT CONTAINS INFORMATION DEEMED PROPRIETARY TO THE MONTAGUE CO. AND IS TO BE USED ONLY FOR THE PURPOSE FOR WHICH THEY ARE SUBMITTED AND SHALL NOT BE COPIED IN WHOLE OR IN PART, WITHOUT EXPRESS WRITTEN PERMISSION OBTAINED FROM THE MONTAGUE COMPANY.			
	DIMENSIONS ARE IN INCHES			
	TOLERANCES: DECIMALS = 0.020 FRACTIONS = 1/32 DEGREES = ±			
	UNLESS OTHERWISE SPECIFIED			
THE MONTAGUE COMPANY 1830 STEARMAN AVENUE HAYWARD, CA 94545		WYNDEMERE COUNTRY CLUB		
SALES DWG. - BATTERY				
SCALE	3/8"=1'-0"	DRAWN	JAA	
DATE	8-19-20	APPROVED	BL	
SHEET	1 OF 3	DRAWING No.	74289-9	
		REV	2	

COOKING BATTERY DETAILS

SCALE AS NOTED

COPYRIGHT: UNAUTHORIZED USE OF THE FOODSERVICE DESIGN DETAILS, AUTOCAD BLOCKS, REVIT FAMILIES, AND SPECIFICATIONS CONTAINED IN THESE DOCUMENTS IS STRICTLY PROHIBITED. NSD, INC. MAINTAINS OWNERSHIP OF SAME. THIS PROHIBITION EXTENDS FROM PRINTED MATERIAL TO ANY ELECTRONIC VERSIONS OF THE SAME. NO USE, OTHER THAN THAT FOR WHICH IT IS INTENDED, IS STRICTLY PROHIBITED WITHOUT WRITTEN PERMISSION FROM NEXT STEP DESIGN, INC. ALL RIGHTS RESERVED.

700 WYNDEMERE WAY
NAPLES, FL 34105

NSD
FOODSERVICE CONSULTANTS

NEXT STEP DESIGN
913 West Street Annapolis, MD 21401
Ph: (410) 263-1200
nextstepdesign.com

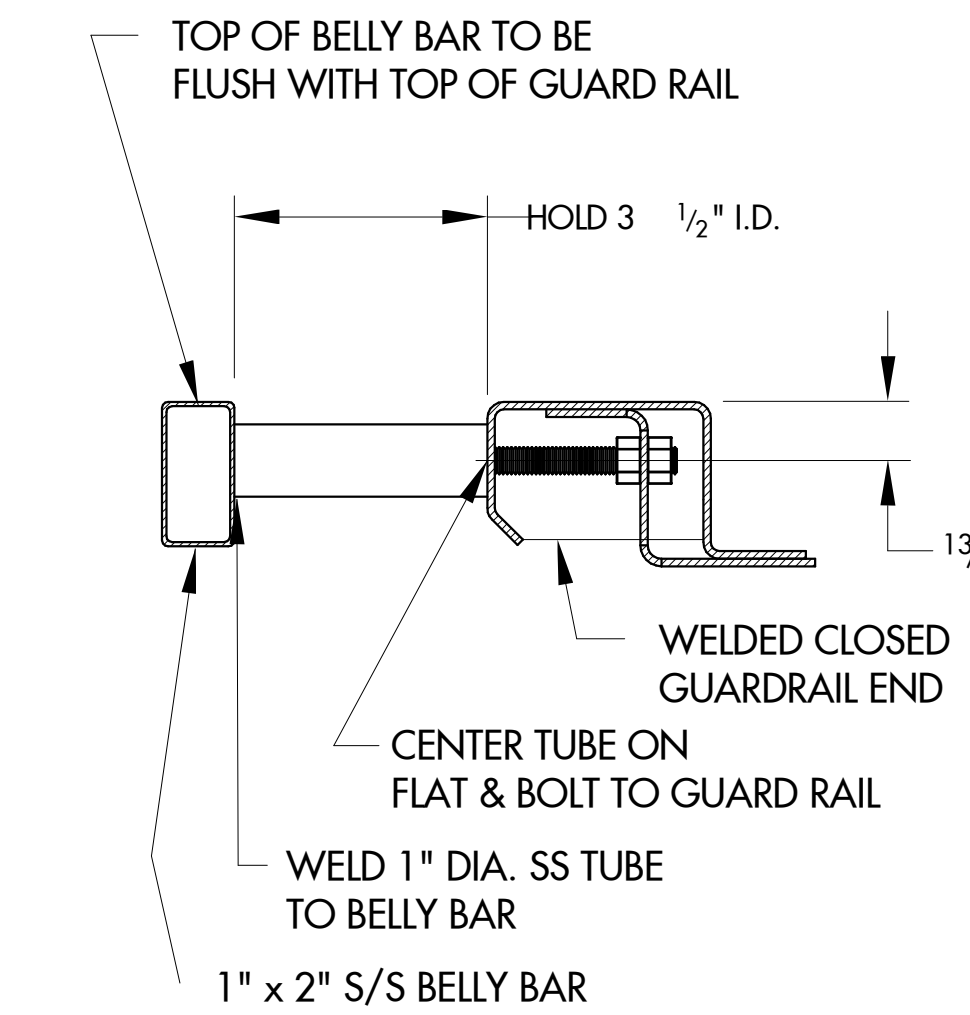
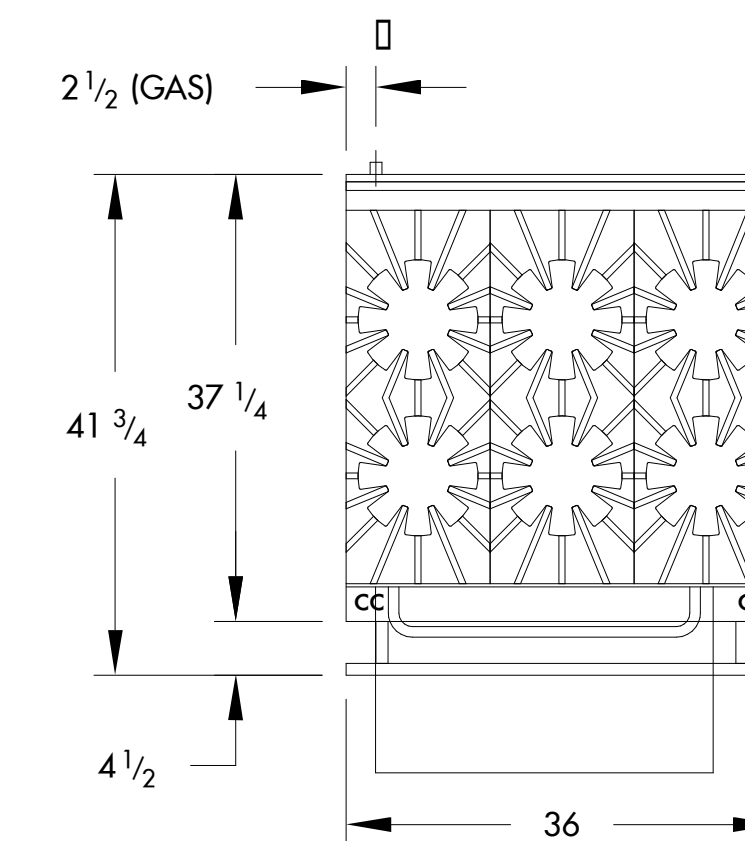
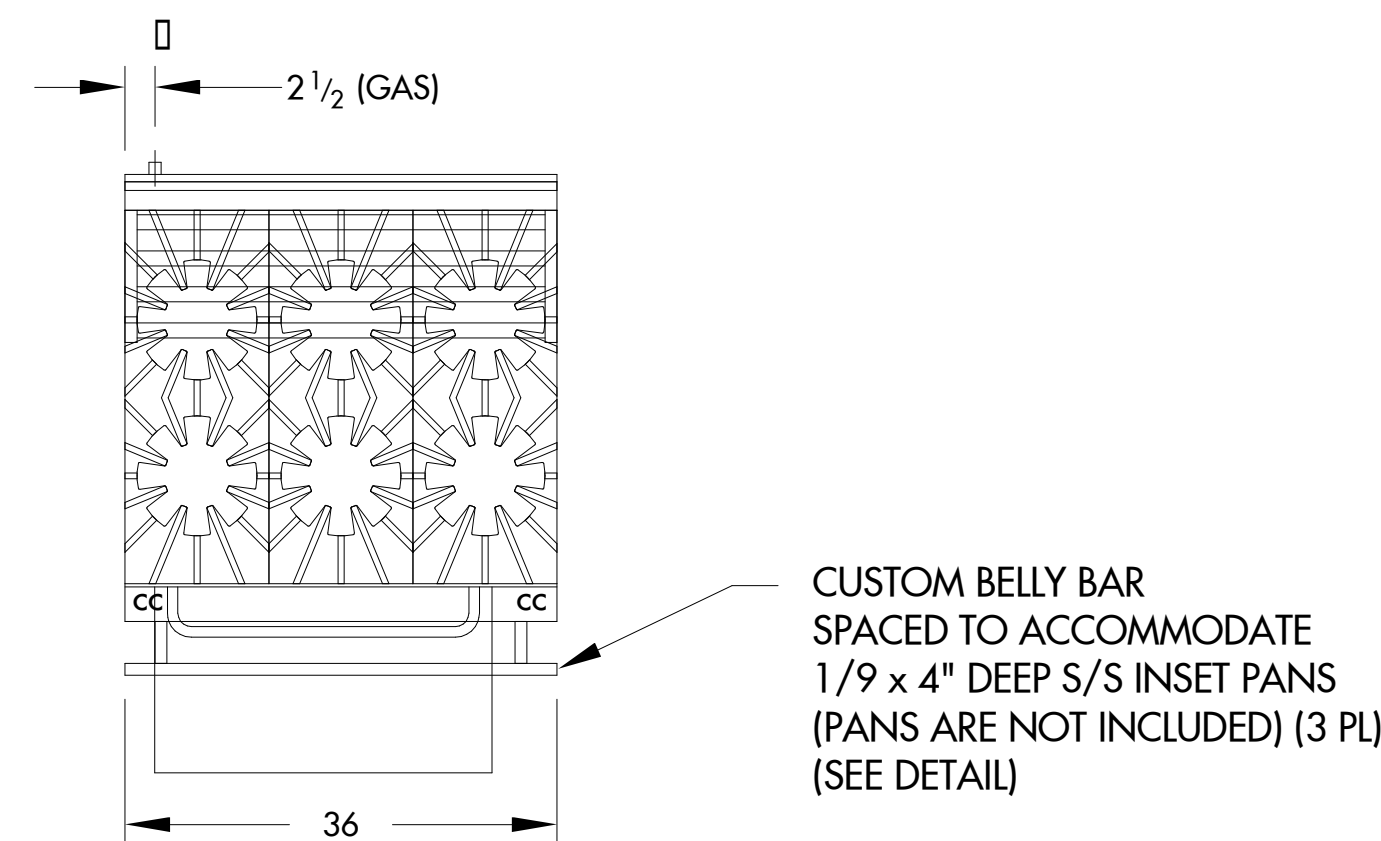
ISSUE	DATE
100% Interim Schematic Design	07/10/20
100% Schematic Design	07/17/20
50% Design Development	08/17/20
95% Design Development	08/21/20
100% Design Development	08/25/20
100% Interim Design Development	09/04/20
50% Construction Document	10/30/20
Permit Set	12/11/20
Bid Set	12/18/20

DATE: 12/18/20 SCALE: 3/4" = 1'-0"
PROJECT #: - DRAWN: EGM

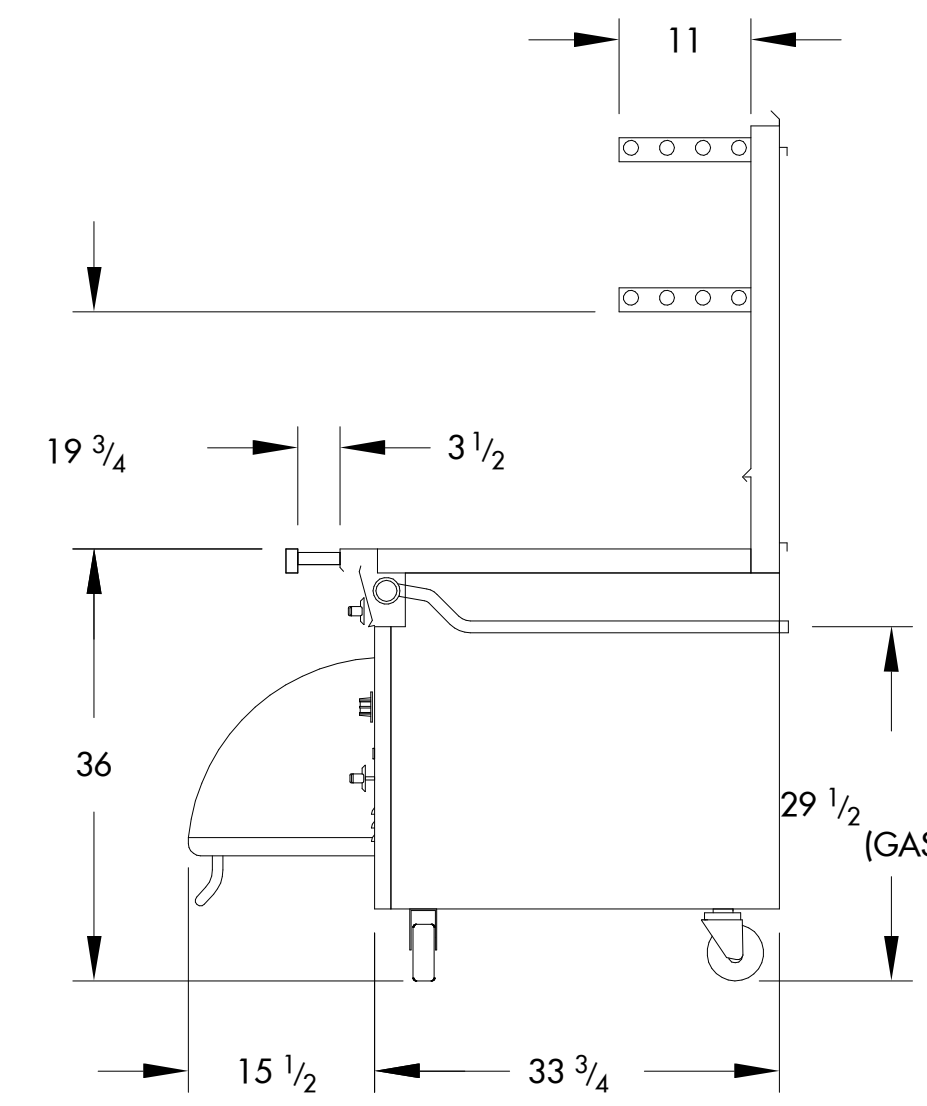
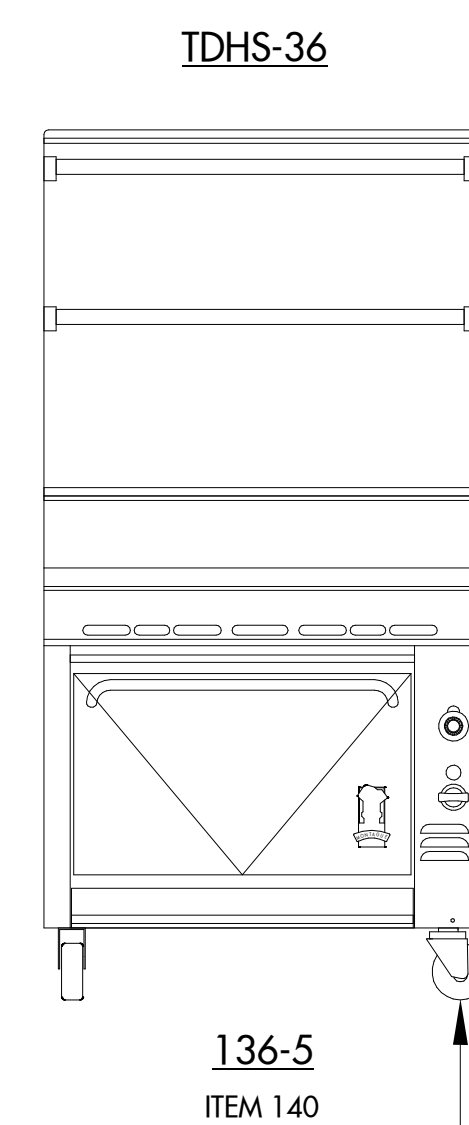
FOODSERVICE COOKING BATTERY DETAILS

SHEET #: **600-CB**

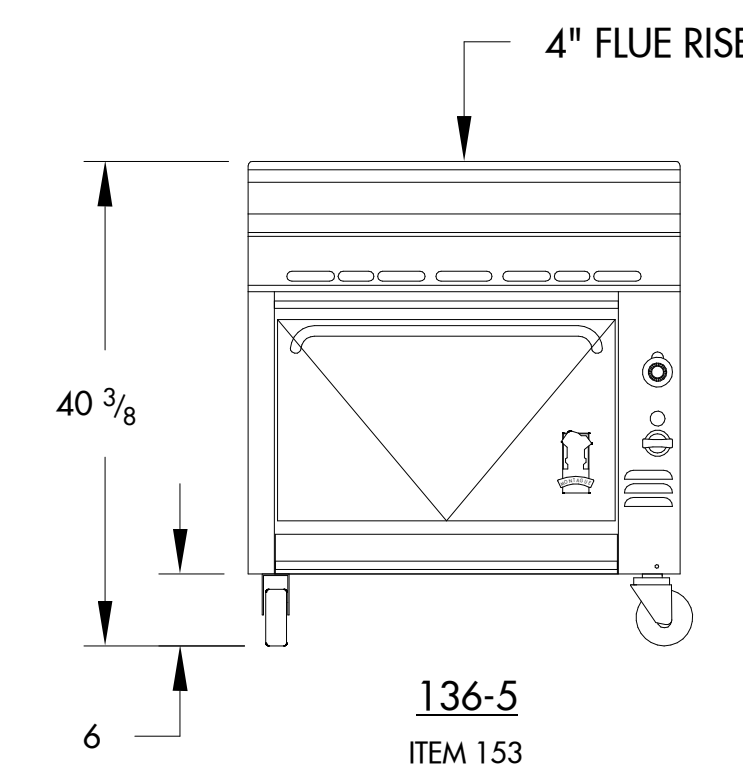
REV	BY	DATE	DESCRIPTION
1	JA	9-9-20	CUSTOMER CHANGES
2	CWB	12-18-20	NEW DESIGN



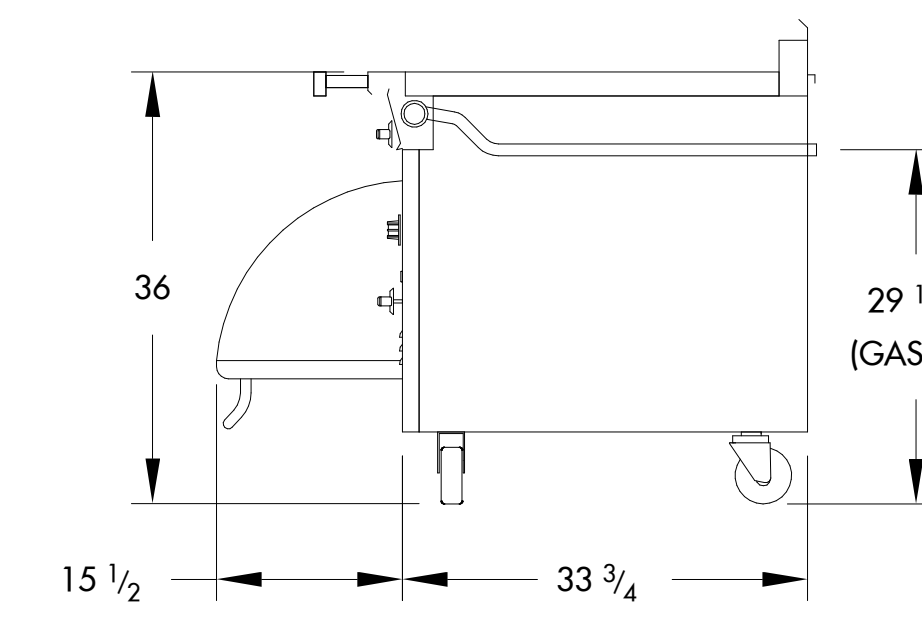
DETAIL: BELLY BAR
(NOT TO SCALE)



CASTERS WITH
5" WHEEL (TYP)



136-5
ITEM 153



136-5
ITEM 153

UTILITY DATA				
MODEL	ITEM	QTY.	GAS SIZE	B.T.U./Hr.
136-5	140	1	1" NPT	220,000
136-5	153	1	1" NPT	220,000
EQUIPMENT TOTAL: GAS; NATURAL @ 6" W.C., 440,000 BTU/HR				

PRODUCTION SUBMITTAL

CUSTOMER APPROVAL	
<input type="checkbox"/> APPROVED AS SUBMITTED	
<input type="checkbox"/> REVISE AND RESUBMIT	
SIGNATURE: _____	DATE: _____
PRINT NAME: _____	
SALES APPROVAL	
SIGNATURE: _____	DATE: _____

NOTE:
GUARD RAIL IS NOT DESIGNED TO SUPPORT EXCESSIVE WEIGHT ON THE BELLY BAR, NOR IS IT SUITABLE FOR USE AS A LIFTING HANDLE.

	PROPRIETARY RIGHTS: THIS DOCUMENT CONTAINS INFORMATION DEEMED PROPRIETARY TO THE MONTAGUE CO. AND IS TO BE USED ONLY FOR THE PURPOSE FOR WHICH THEY ARE SUBMITTED AND SHALL NOT BE COPIED IN WHOLE OR IN PART WITHOUT EXPRESS WRITTEN PERMISSION OBTAINED FROM THE MONTAGUE COMPANY.				
	THE MONTAGUE COMPANY 1830 STEARMAN AVENUE HAYWARD, CA 94545				
	SALES DWG. - BATTERY				
	WYNDEMERE COUNTRY CLUB				
DIMENSIONS ARE IN INCHES		SCALE	3/8" = 1'-0"	DRAWN	JAA
TOLERANCES: DECIMALS ± 0.020 FRACTIONS: ± 1/32 DEGREES: ±		DATE	8-19-20	APPROVED	BL
UNLESS OTHERWISE SPECIFIED		SHEET	2 OF 3	DRAWING No.	74289-9
				REV	2

COOKING BATTERY DETAILS

SCALE AS NOTED

COPYRIGHT:
UNAUTHORIZED USE OF THE FOODSERVICE DESIGN DETAILS, AUTOCAD BLOCKS, REVIT FAMILIES, AND SPECIFICATIONS CONTAINED IN THESE DOCUMENTS IS STRICTLY PROHIBITED. NSD INC. MAINTAINS OWNERSHIP OF SAME. THIS PROHIBITION EXTENDS FROM PRINTED MATERIAL TO ANY ELECTRONIC VERSIONS OF THE SAME. NO USE, OTHER THAN THAT FOR WHICH IT IS INTENDED, IS STRICTLY PROHIBITED WITHOUT WRITTEN PERMISSION FROM NEXT STEP DESIGN, INC. ALL RIGHTS RESERVED.

WYNDEMERE CC
IMPLEMENTATION TB LW

700 WYNDEMERE WAY
NAPLES, FL 34105

NSD
FOODSERVICE
CONSULTANTS

NEXT STEP DESIGN
913 West Street Annapolis, MD 21401
Ph: (410) 263-1200
nextstepdesign.com

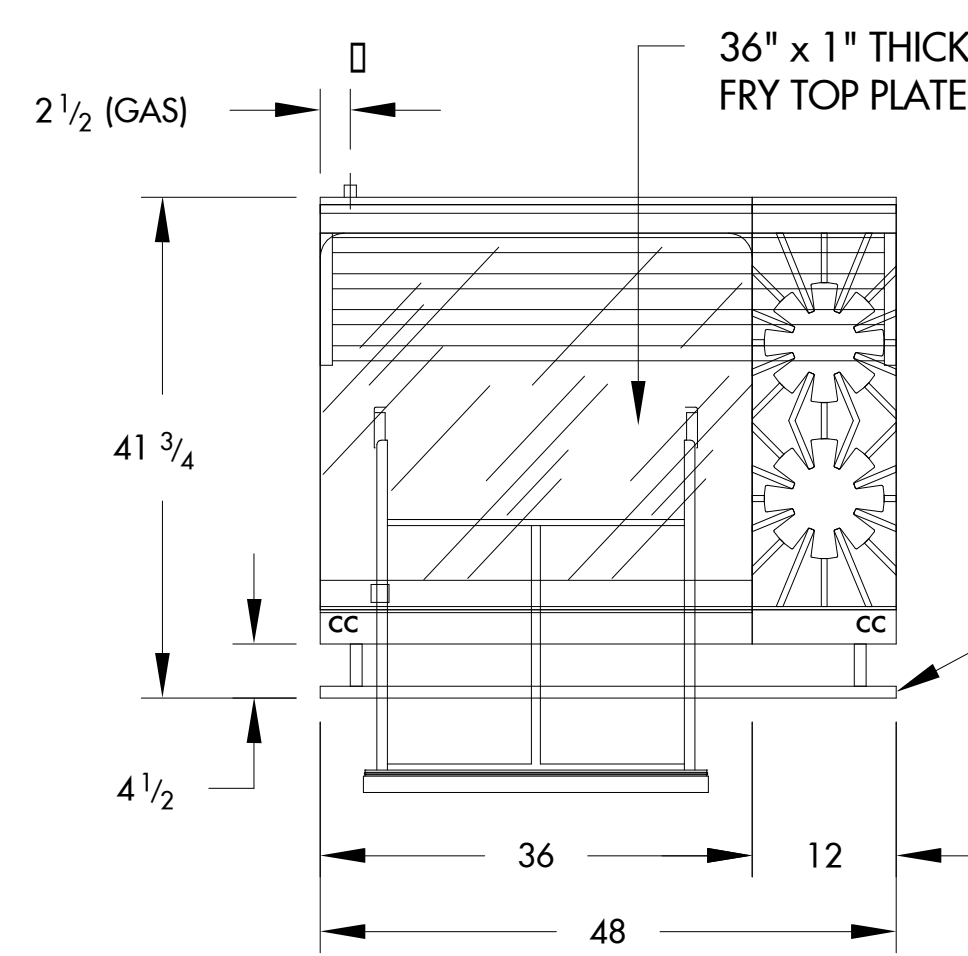
ISSUE	DATE
100% Interim Schematic Design	07/10/20
100% Schematic Design	07/17/20
50% Design Development	08/17/20
95% Design Development	08/21/20
100% Design Development	08/25/20
100% Interim Design Development	09/04/20
50% Construction Document	10/30/20
Permit Set	12/11/20
Bid Set	12/18/20

DATE: 12/18/20 SCALE: 3/4" = 1'-0"
PROJECT #: - DRAWN: EGM

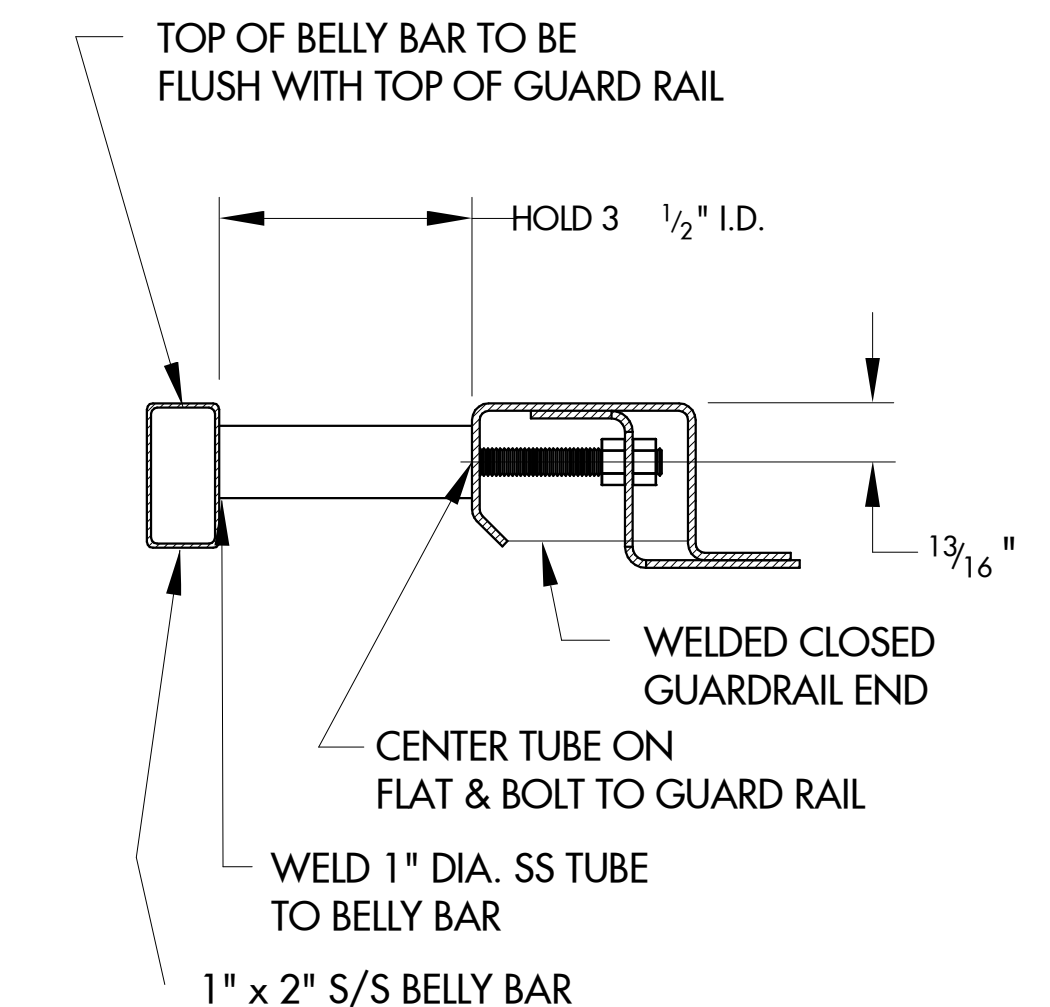
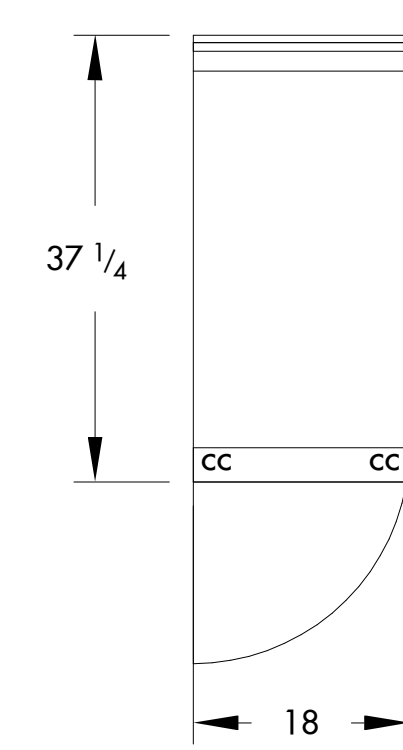
FOODSERVICE COOKING
BATTERY DETAILS

SHEET #:
601-CB

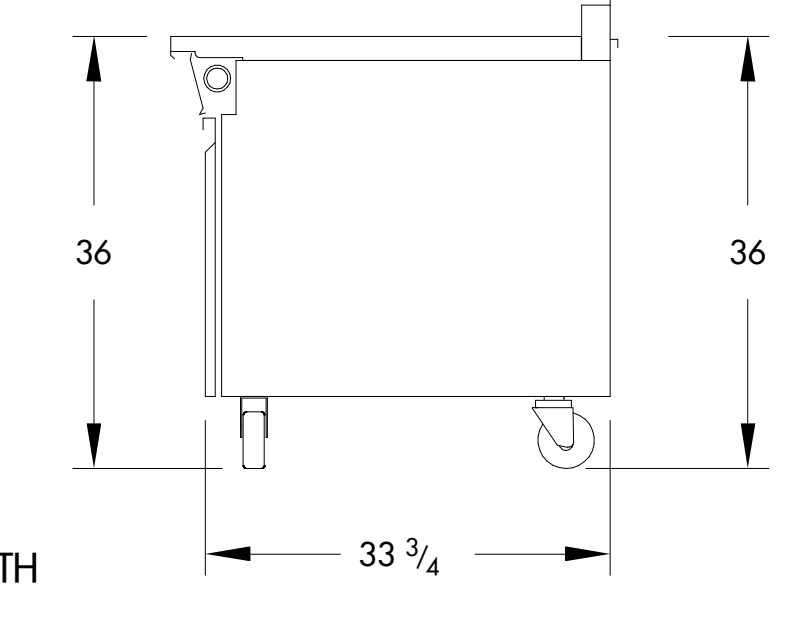
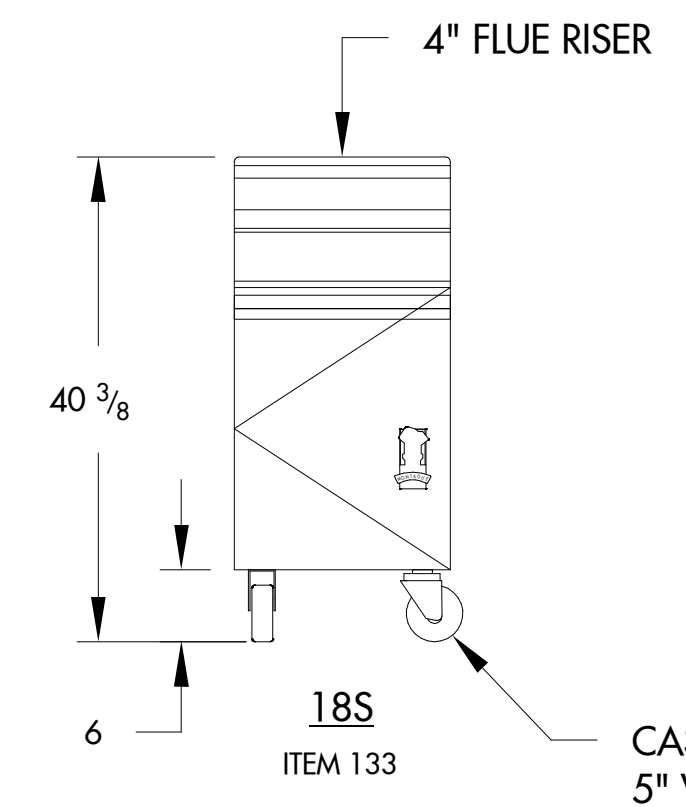
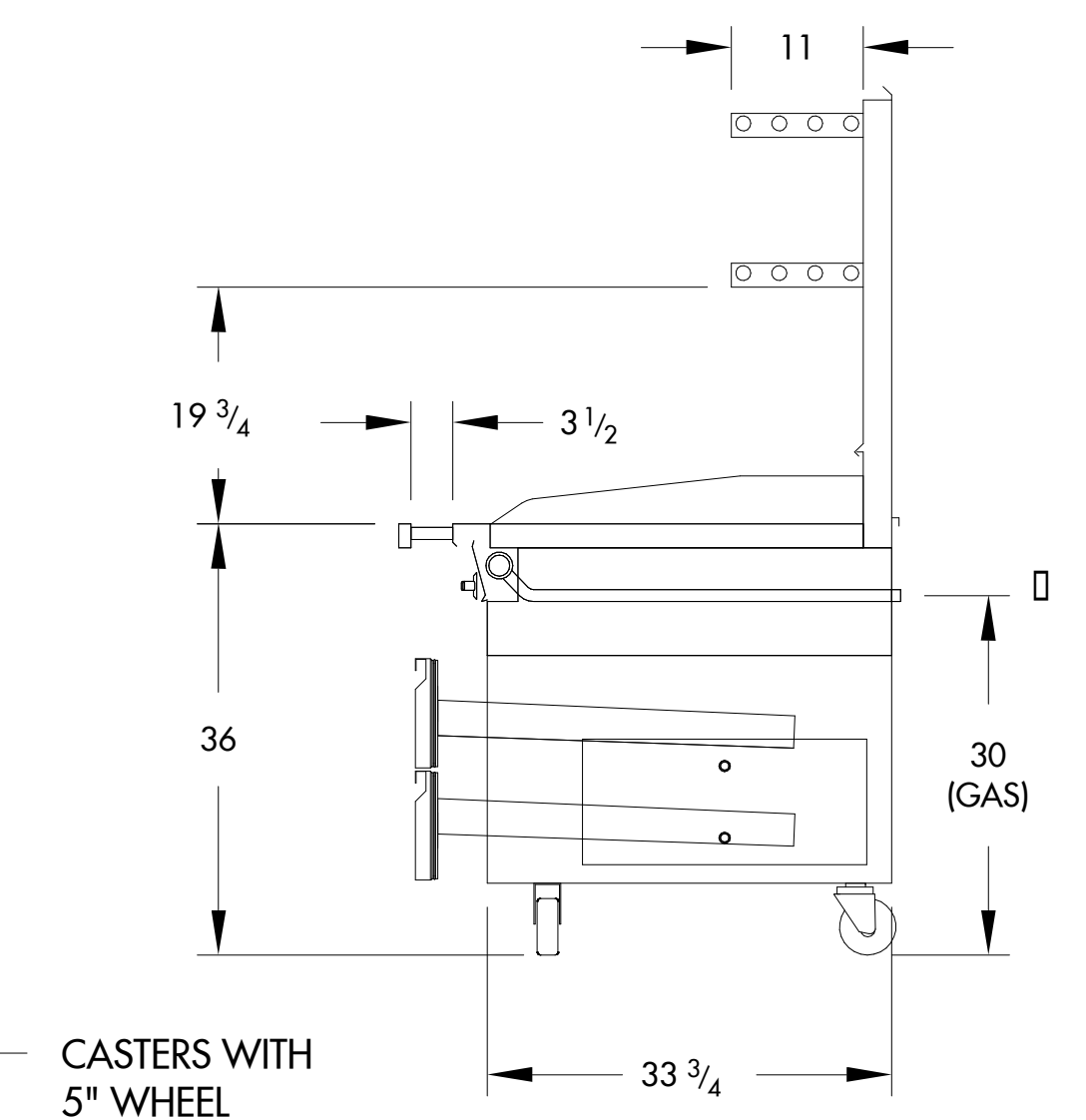
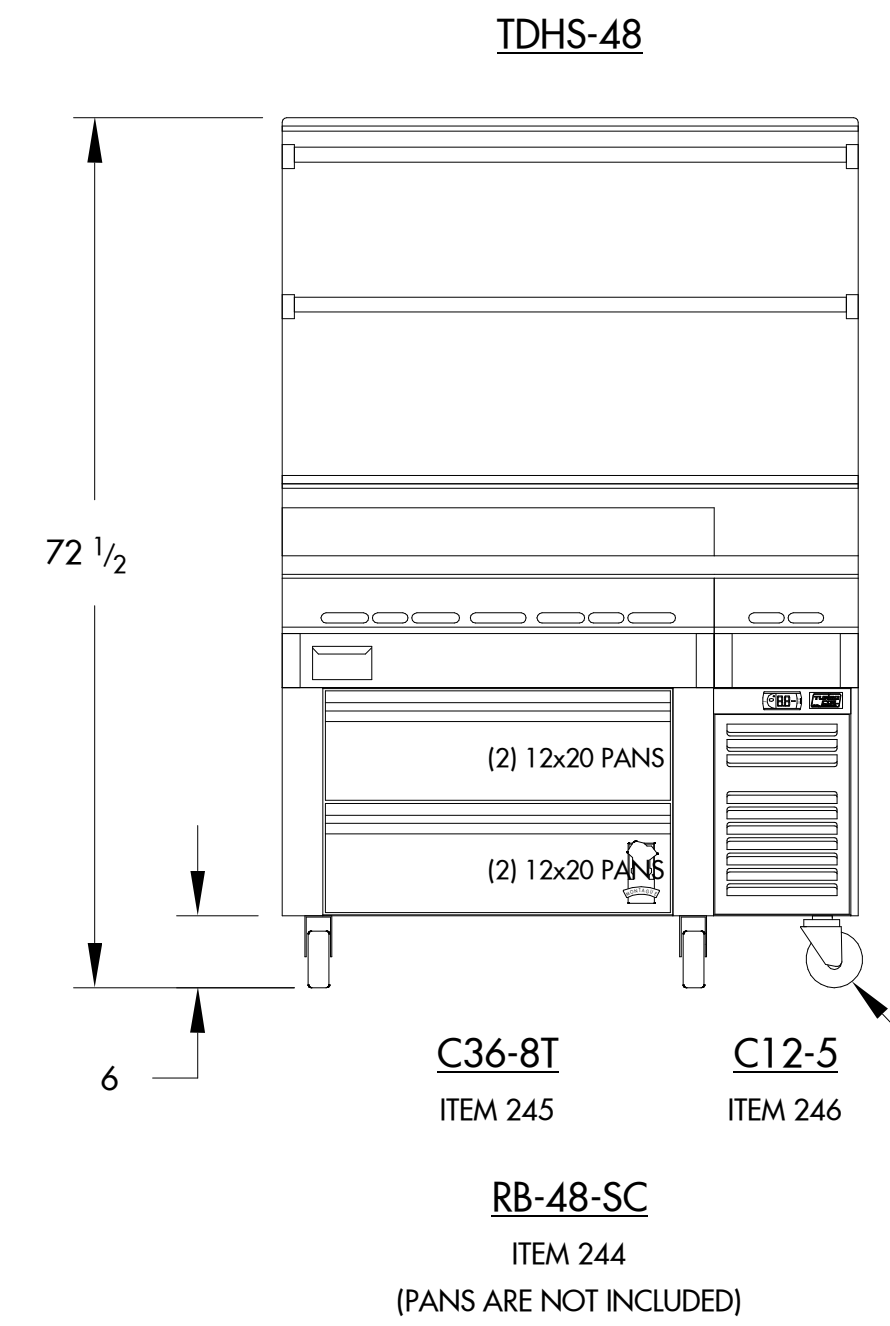
REV	BY	DATE	DESCRIPTION
1	JA	9-9-20	CUSTOMER CHANGES
2	CWB	12-18-20	NEW DESIGN



CUSTOM BELLY BAR SPACED TO ACCOMMODATE 1/9 x 4" DEEP S/S INSET PANS (PANS ARE NOT INCLUDED) (SEE DETAIL)



DETAIL: BELLY BAR (NOT TO SCALE)



(PANS ARE NOT INCLUDED)

UTILITY DATA					
MODEL	ITEM	QTY.	GAS SIZE	B.T.U./Hr.	ELECTRIC
C36-8T	245	1	1" NPT	80,000	
C12-5	246	1		60,000	
RB-48-SC	244	1			1/3 HP, 7.74 AMPS, 115/60/1, 6' CORD, NEMA 5-15P
BATTERY TOTAL: GAS; NATURAL @ 6" W.C., 140,000 BTU/HR, ELECTRIC; 115/60/1, 7.74 AMPS					

PRODUCTION SUBMITTAL

CUSTOMER APPROVAL	
<input type="checkbox"/> APPROVED AS SUBMITTED	
<input type="checkbox"/> REVISE AND RESUBMIT	
SIGNATURE: _____	DATE: _____
PRINT NAME: _____	
SALES APPROVAL	
SIGNATURE: _____	DATE: _____

NOTE: GUARD RAIL IS NOT DESIGNED TO SUPPORT EXCESSIVE WEIGHT ON THE BELLY BAR, NOR IS IT SUITABLE FOR USE AS A LIFTING HANDLE.



<small>PROPRIETARY RIGHTS: THIS DOCUMENT CONTAINS INFORMATION DEEMED PROPRIETARY TO THE MONTAGUE CO. AND IS TO BE USED ONLY FOR THE PURPOSE FOR WHICH THEY ARE SUBMITTED AND SHALL NOT BE COPIED IN WHOLE OR IN PART WITHOUT EXPRESS WRITTEN PERMISSION OBTAINED FROM THE MONTAGUE COMPANY.</small>		THE MONTAGUE COMPANY 1830 STEARMAN AVENUE HAYWARD, CA 94545	
SALES DWG. - BATTERY			
WYNDEMERE COUNTRY CLUB			
DIMENSIONS ARE IN INCHES		SCALE	3/8"=1'-0"
TOLERANCES:		DATE	8-19-20
DECIMALS ± 0.020		SHEET	3 OF 3
FRACTIONS: ± 1/32		DRAWING No.	74289-9
DEGREES: ±		REV	2
UNLESS OTHERWISE SPECIFIED			

COOKING BATTERY DETAILS

SCALE AS NOTED

COPYRIGHT: UNAUTHORIZED USE OF THE FOODSERVICE DESIGN DETAILS, AUTOCAD BLOCKS, REVIT FAMILIES, AND SPECIFICATIONS CONTAINED IN THESE DOCUMENTS IS STRICTLY PROHIBITED. NSD INC. MAINTAINS OWNERSHIP OF SAME. THIS PROHIBITION EXTENDS FROM PRINTED MATERIAL TO ANY ELECTRONIC VERSIONS OF THE SAME. NO USE, OTHER THAN THAT FOR WHICH IT IS INTENDED, IS STRICTLY PROHIBITED WITHOUT WRITTEN PERMISSION FROM NEXT STEP DESIGN, INC. ALL RIGHTS RESERVED.

WYNDEMERE CC
IMPLEMENTATION TB LW

700 WYNDEMERE WAY
NAPLES, FL 34105

NSD
FOODSERVICE CONSULTANTS

NEXT STEP DESIGN
913 West Street Annapolis, MD 21401
Ph: (410) 263-1200
nextstepdesign.com

ISSUE	DATE
100% Interim Schematic Design	07/10/20
100% Schematic Design	07/17/20
50% Design Development	08/17/20
95% Design Development	08/21/20
100% Design Development	08/25/20
100% Interim Design	09/04/20
50% Construction Document	10/30/20
Permit Set	12/11/20
Bid Set	12/18/20

DATE: 12/18/20 SCALE: 3/4" = 1'-0"
PROJECT #: - DRAWN: Author

FOODSERVICE COOKING
BATTERY DETAILS

SHEET #: 602-CB