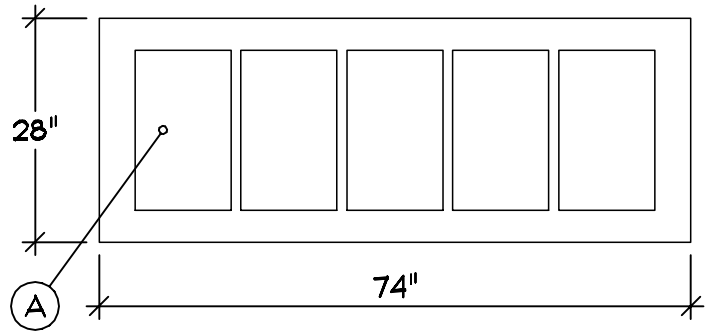
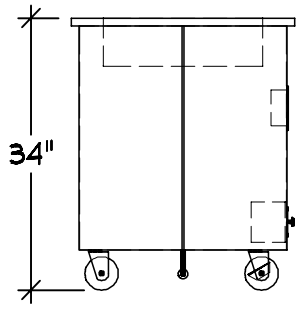
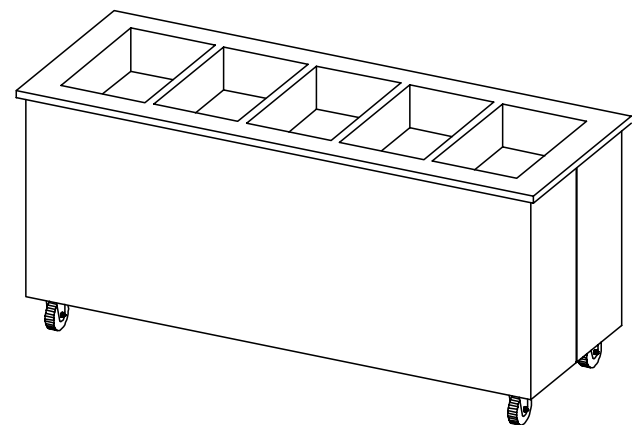
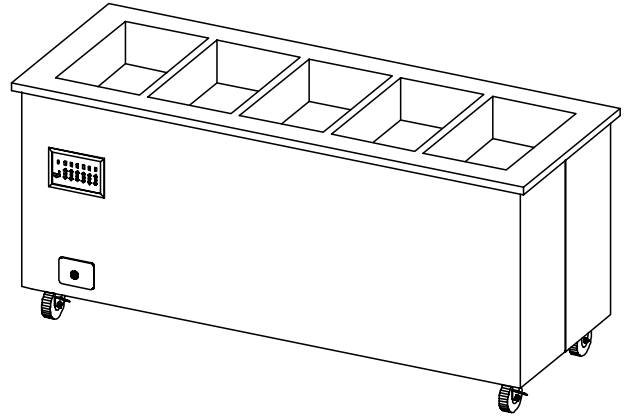


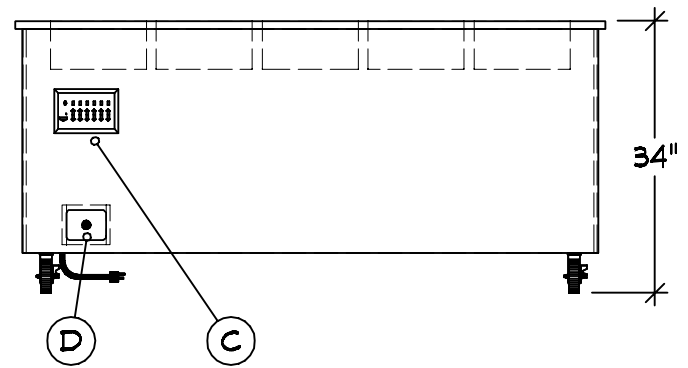
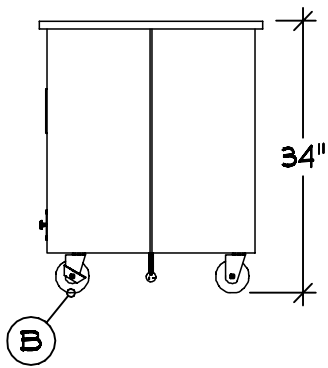
W5FES	
WACO - FRANKLIN ES	
VOLLRATH	03-16-22
THE VOLLRATH CO., LLC	COPYRIGHT 2022 SHEBOYGAN, WI



Server 1 | Qty 38
 Hot Food Counter
 A 5 Individual Wet Hot Wells
 B Casters : 4" (2) w/Brakes
 C Controls : Touch Temp
 D Drain : 1\2" w/ Ball Valve



Finishes And Materials
 Top : ** 14 Ga SST
 Body : ** 18 Ga SST
 Trim : Standard SST



VOLTS	208	60	ELECTRICAL
Ø	1	□ -	
	15.0 A		NEMA 6-20

PLUMBING CW: -
 HW: -
 WASTE: (1) Ø.5" INDIRECT

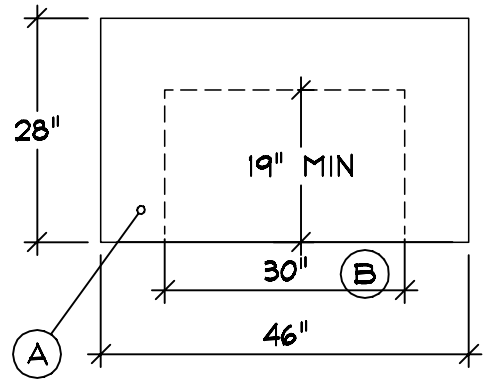
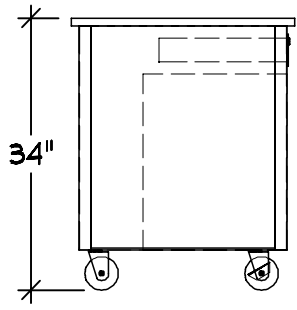
W5FES

WACO - FRANKLIN ES

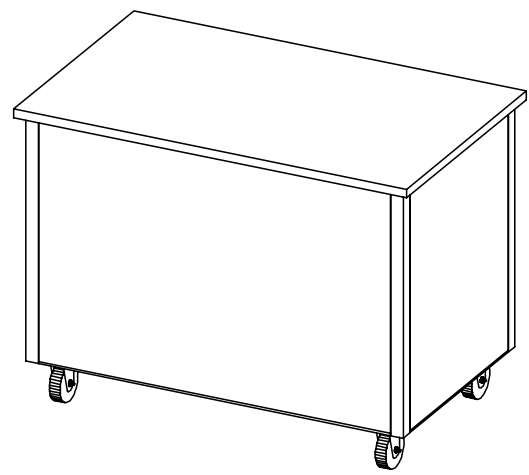
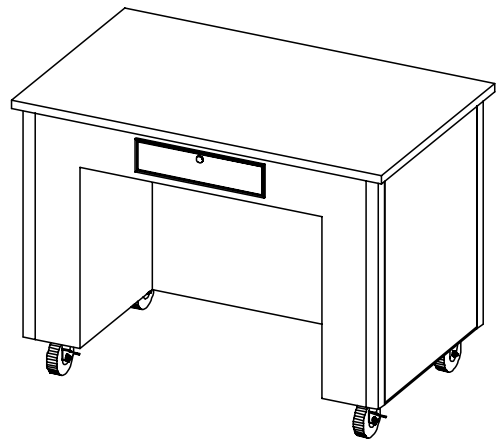


03-16-22
 COPYRIGHT 2022
 SHEBOYGAN, WI

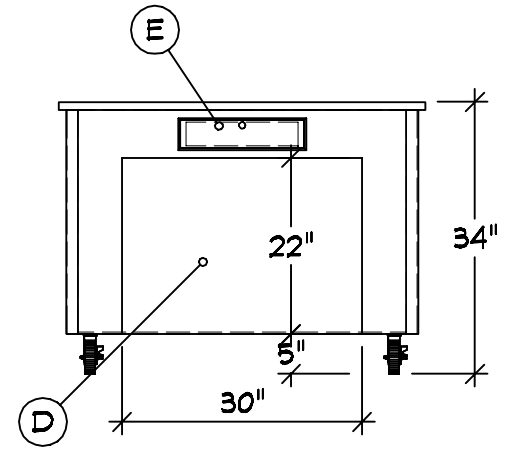
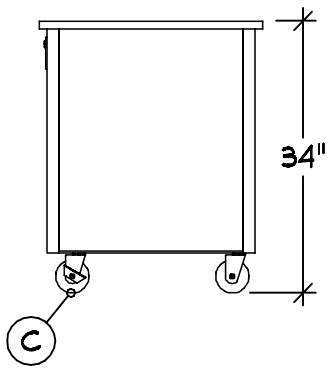
THE VOLLRATH CO., LLC



Server 45 : Qty 1
Utility Counter
A Custom Base Configuration
B Custom Counter Width
C Casters : 4" (2) w/Brakes
D ADA Wheelchair Access Pocket
E Cash Drawer



Finishes And Materials
Top : ** 14 Ga SST
Body : Standard Black
Trim : Standard SST



W5FES

WACO - FRANKLIN ES



03-16-22
COPYRIGHT 2022
SHEBOYGAN, WI

THE VOLLRATH CO., LLC

GENERAL NOTES - PLEASE READ

CONFIGURATION:

THESE DRAWINGS ARE TO BE USED IN CONJUNCTION WITH THE PREPARED QUOTATION AND MUST BE RECONCILED PRIOR TO RELEASE FOR FABRICATION.

DIMENSIONS:

ALL DIMENSIONS SHOWN ARE $\pm 1/4"$

CONNECTIONS:










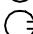

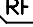
ALL PIPING, FITTINGS, AND INTERCONNECTION SERVICES SHOWN ARE TO BE SUPPLIED AND INSTALLED BY LICENSED CONTRACTORS IN ACCORDANCE WITH ALL LOCAL CODES.

BY OTHERS:

VERIFY ALL EQUIPMENT LISTED AS BY OTHERS FOR SIZE AND MECHANICAL SERVICE REQUIREMENTS.

NOTE:

IN LINE WITH THE POLICY TO CONTINUALLY IMPROVE ITS PRODUCTS, THE MANUFACTURE RESERVES THE RIGHT TO CHANGE MATERIALS AND SPECIFICATIONS WITHOUT NOTICE.

	CONNECTION POINT
	COLD WATER
	HOT WATER
	HOT + COLD WATER
	DRAIN
	POWER
	SWITCH
	CORD SET
	CONV OUTLET RECP
	DUPLEX RECPTACLE
	SINGLE RECPTACLE
	REFRIGERATION



CONFIDENTIAL DESIGN

The Vollrath Company, L.L.C. ("Vollrath") considers this new design proprietary and confidential. Due to the existing relationship of trust and good faith between Vollrath and Recipient, Vollrath is providing this proprietary and confidential design and related information to Recipient with the understanding that Recipient will maintain such design and information in secrecy and will not directly or indirectly use, disseminate, or otherwise disclose this proprietary and confidential information to any outside person or organization without the express written prior consent of The Vollrath Company, L.L.C.

03-16-2022

03-16-2022 : 09:06:32a

W5FES

WACO - FRANKLIN ES



03-16-22

COPYRIGHT 2022

THE VOLLRATH CO., LLC

SHEBOYGAN, WI