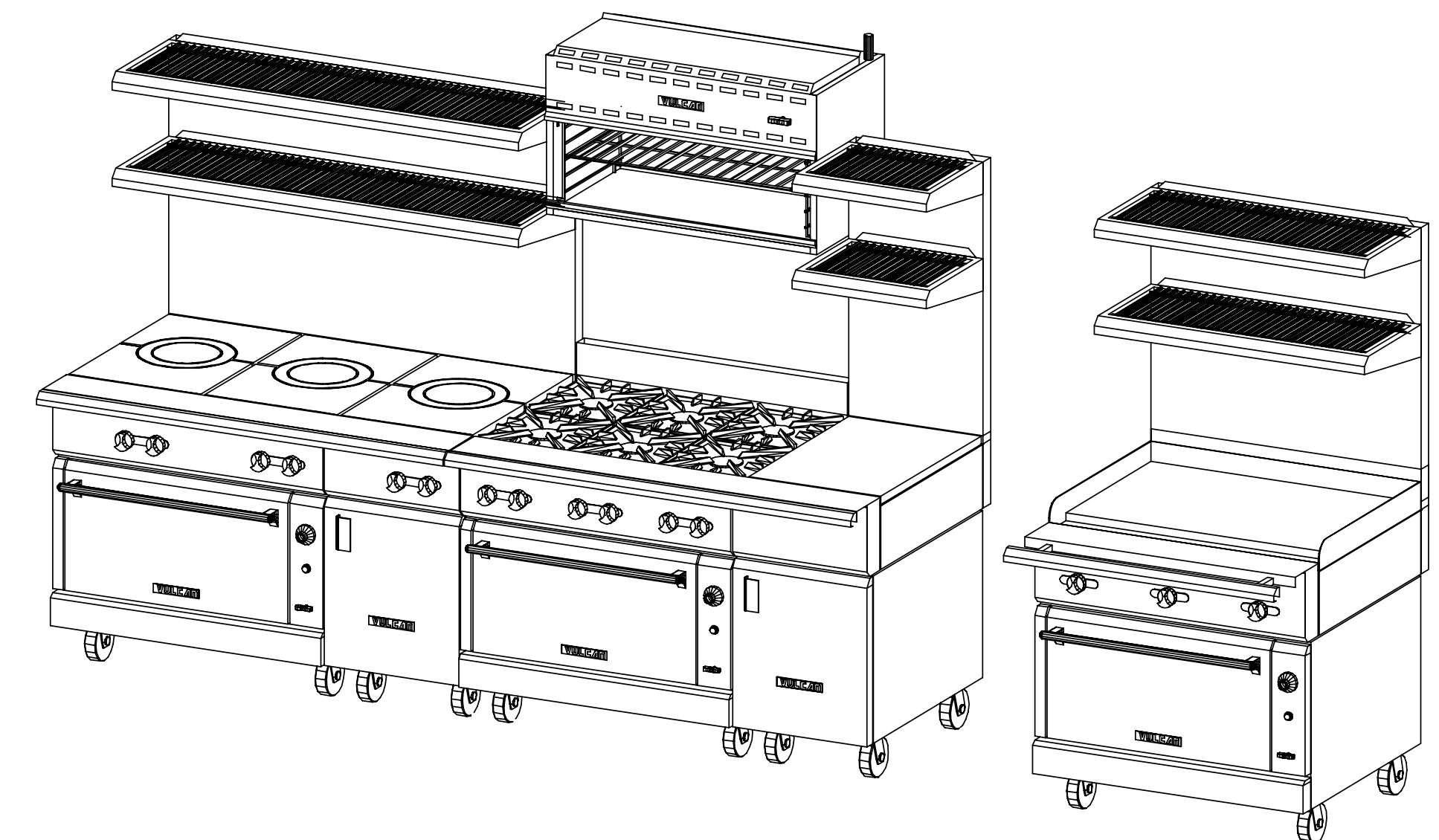
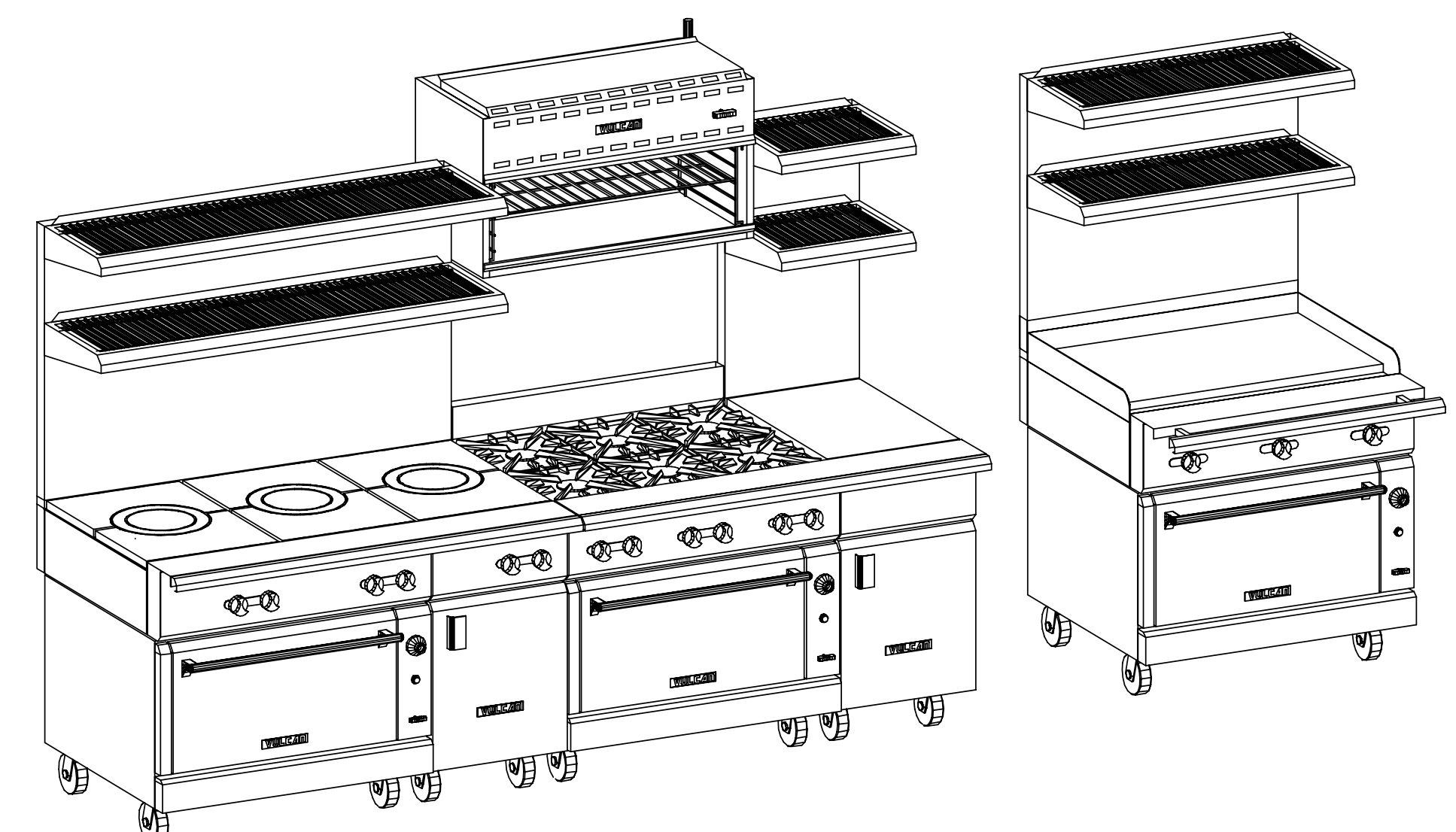


365	1 EA	VGMT36S	GRIDDLE
140	MBTU	0.75	32 AFF
367	1 EA	VWT18B	SPREADER
0	MBTU	1.0	32 AFF
368	1 EA	VICM36	CHEESEMELTER
30	MBTU	0.75	78 AFF
369	1 EA	V6B36S	RANGE
260	MBTU	1.25	MANIFOLD
370	1 EA	V1FT18B	RANGE
25	MBTU	1.25	MANIFOLD
371	1 EA	V2FT36S	RANGE
100	MBTU	1.25	32 AFF



GENERAL NOTES - PLEASE READ

VENTILATION:
ALL COOKING EQUIPMENT MUST BE VENTILATED BY AN APPROVED APPLIANCE IN ACCORDANCE WITH ALL APPLICABLE CODES.

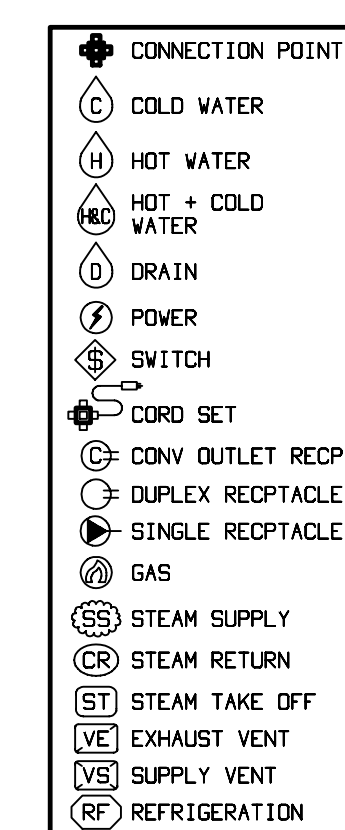
FIRE SUPPRESSION:
ALL COOKING EQUIPMENT MUST BE PROTECTED BY AN APPROVED FIRE SUPPRESSION SYSTEM IN ACCORDANCE WITH ALL APPLICABLE CODES.

CONNECTIONS:
ALL PIPING, FITTINGS, AND INTERCONNECTION SERVICES SHOWN ARE TO BE SUPPLIED AND INSTALLED BY LICENSED CONTRACTORS IN ACCORDANCE WITH ALL LOCAL CODES.

GAS CONNECTIONS:
EXTERNAL GAS REGULATORS, FLEXIBLE GAS LINES AND RESTRAINING CABLES PROVIDED WITH THE EQUIPMENT MUST BE INSTALLED BY LICENSED CONTRACTORS IN ACCORDANCE WITH ALL LOCAL CODES. INCOMING GAS MANIFOLD SUPPLY PRESSURE MUST NOT EXCEED 0.5 PSI (4" W.C.)

BY OTHERS:
VERIFY ALL EQUIPMENT LISTED AS BY OTHERS FOR SIZE AND MECHANICAL SERVICE REQUIREMENTS.

NOTE:
IN LINE WITH THE POLICY TO CONTINUALLY IMPROVE ITS PRODUCTS, THE MANUFACTURERS RESERVE THE RIGHT TO CHANGE MATERIALS AND SPECIFICATIONS WITHOUT NOTICE.



07-11-2019
08-07-2019
08-04-2020 : 11:40:29a

PROJECT CODE
THBV2

THOMPSON HOTEL BUCKHEAD
ATLANTA, GA

No.	Date	By	Revision
02	8/7/19	ddb	24 x 36 Format
04	8/4/20	ddb	ITEM 362

NEXT STEP DESIGN
913 WEST ST.
ANNAPOLIS, MD 21401

SCALE:
AS NOTED
DATE: 8/7/19
DRAWN BY: DDB
VH-THBV2