

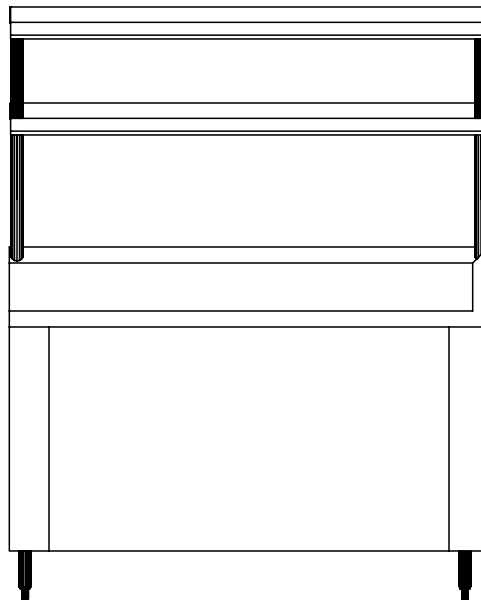
MT-KI_26



KI_26
ITEM 26 WORK TABLE

PLAN VIEW

TREMONT AVE 06-03-21



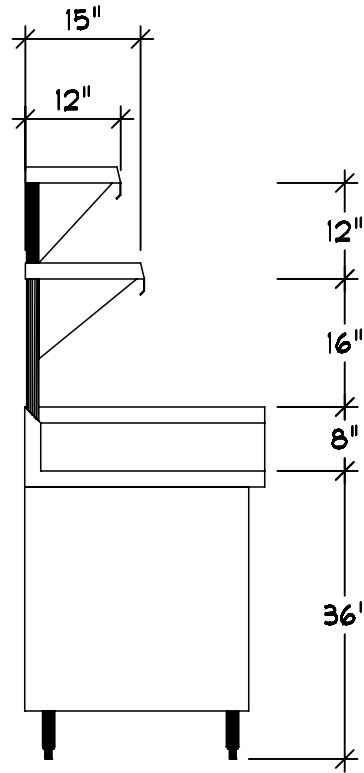
MT-KI_26



KI_26
ITEM 26 WORK TABLE

ELEVATION

TREMONT AVE 06-03-21



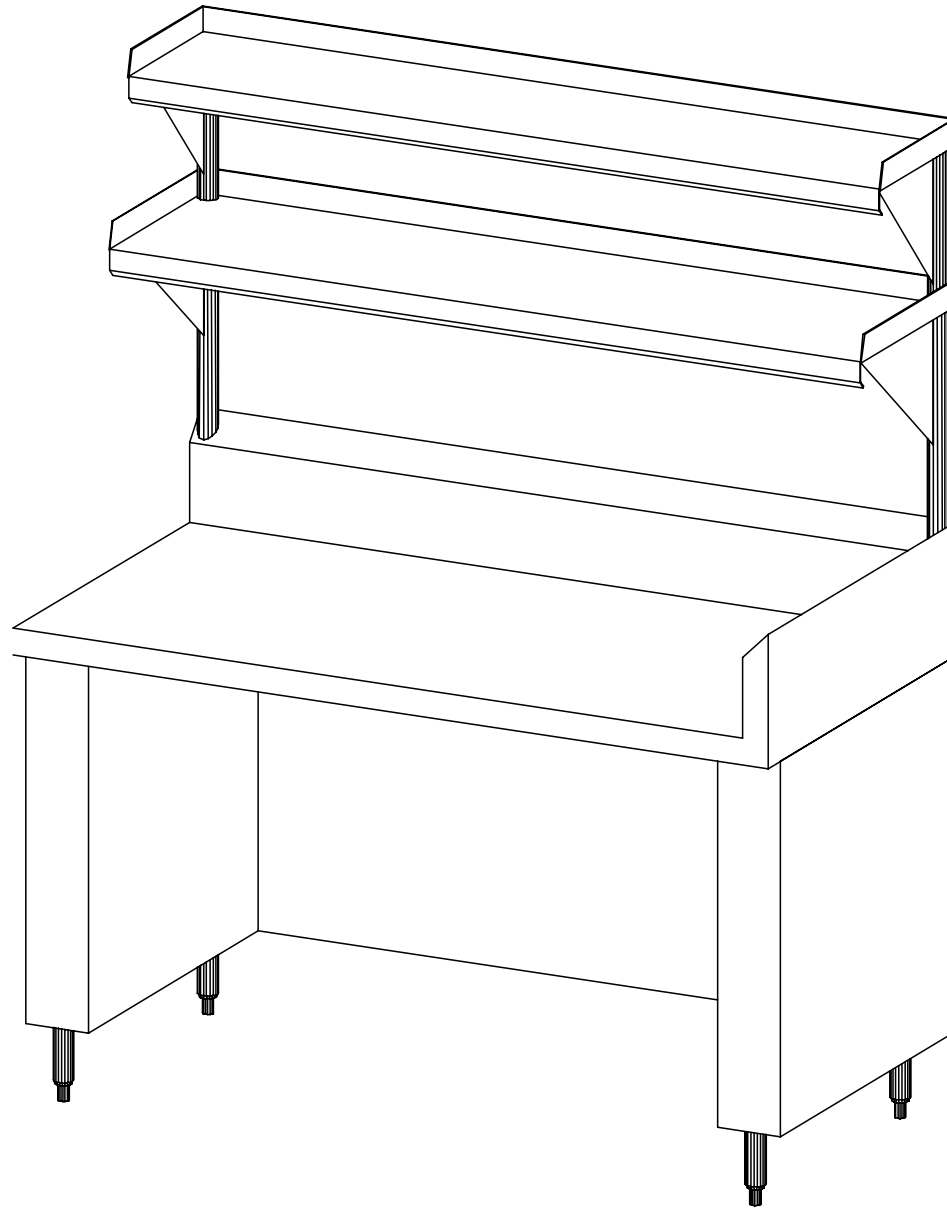
MT-KI_26



KI_26
ITEM 26 WORK TABLE

ELEVATION

TREMONT AVE 06-03-21



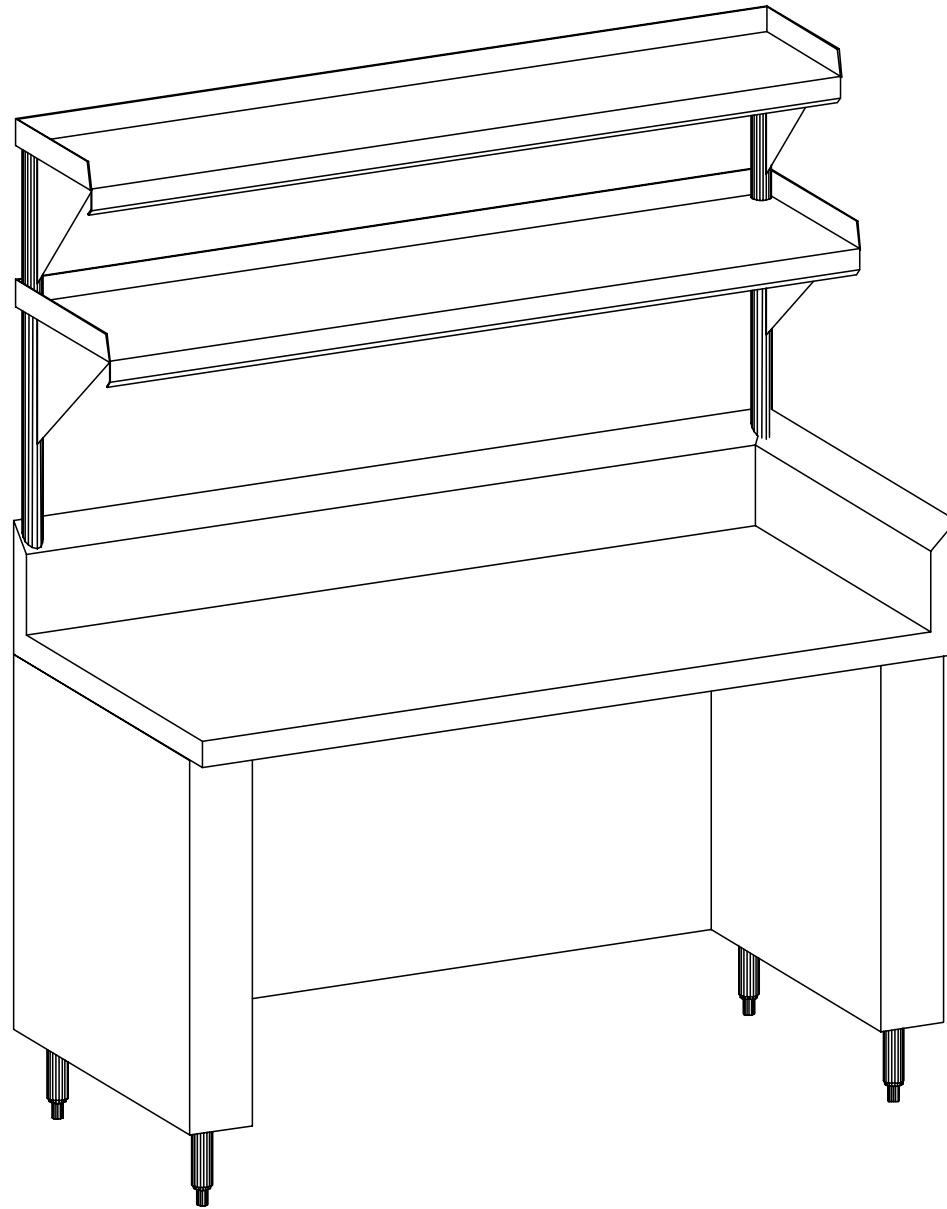
MT-KI_26



KI_26
ITEM 26 WORK TABLE

SSE VIEW

TREMONT AVE 06-03-21



MT-KI_26



KI_26
ITEM 26 WORK TABLE

SSW VIEW

TREMONT AVE 06-03-21

ITEM NUMBER : 26

QTY : 1 EA

MFG : METAL FABRICATOR

DESCRIP : WORK TABLE

TOP: 14 GA TYPE 304 SST

SPLASHES: ()NONE (X)REAR (X)RH-END ()LH-END

LEGS: (X) 16 GA 1-5\8" SST

(X) ADJUSTABLE SST BULLET FEET

BASE: (X) 18 GA SST ENCLOSED BASE

OPTIONS:

OPENING FOR ITEM ITEM 26

CANTILEVERED DOUBLE SST OVERSHELF

SIZE AND SHAPE PER DRAWING

MT-KI_26



KI_26
ITEM 26 WORK TABLE

TREMONT AVE 06-03-21