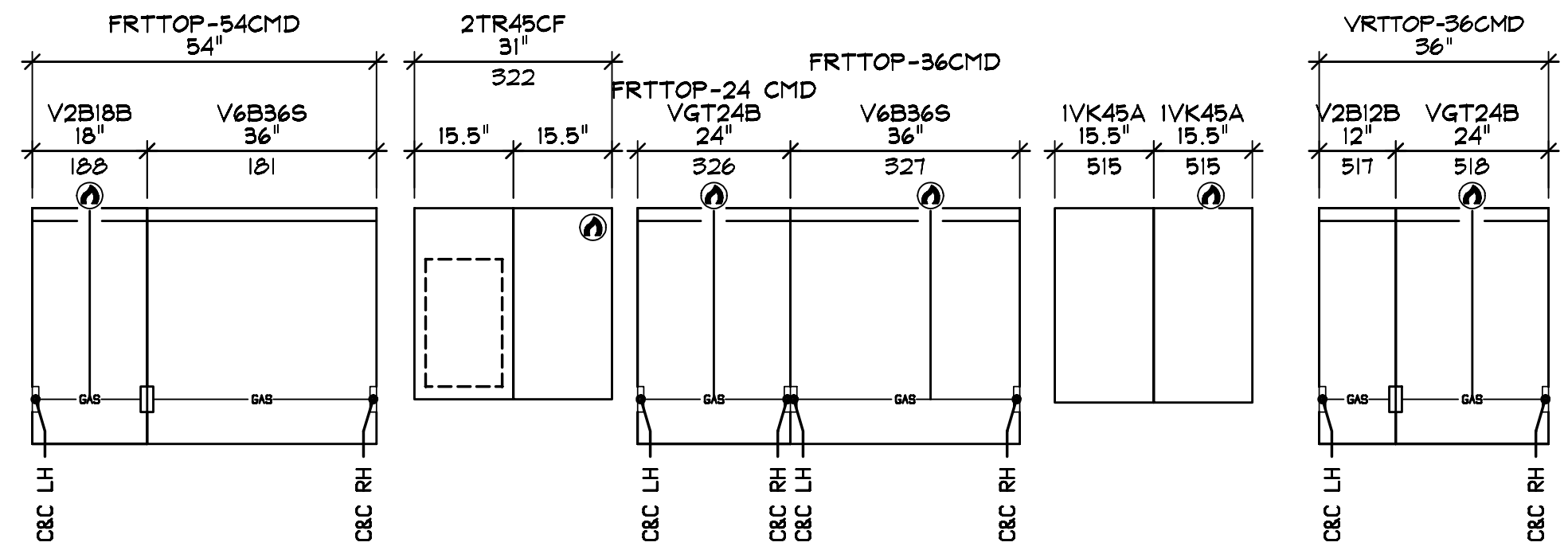
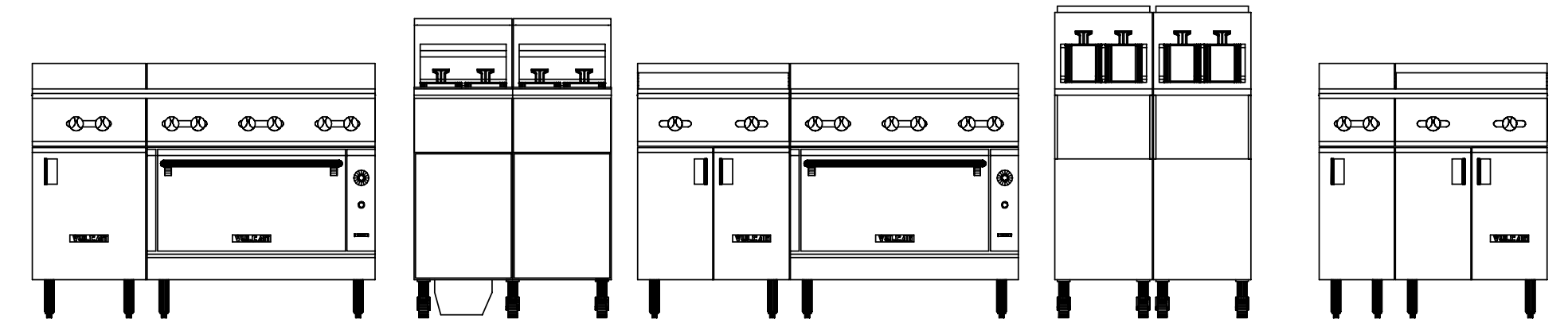
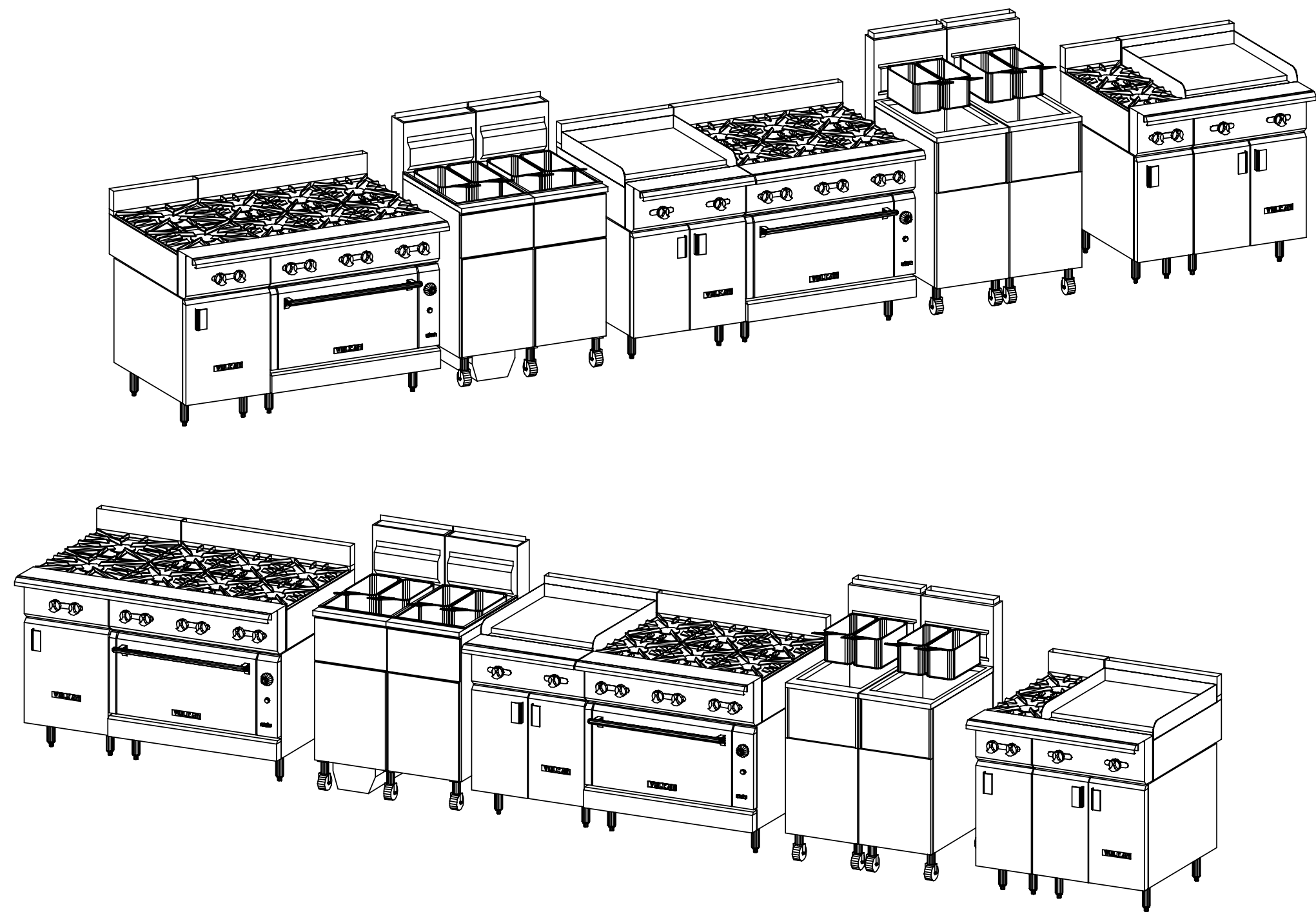
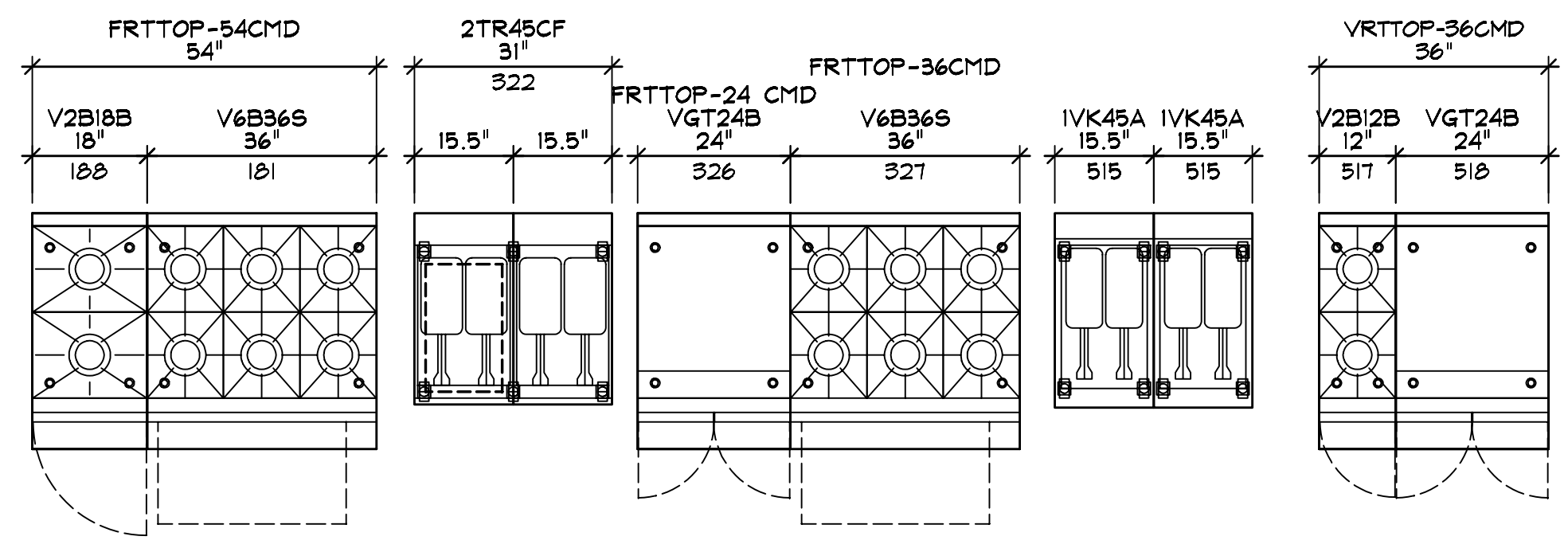


INDIGO HOTEL
 GRAND CAYMAN
 ITEMS 181 Thru 518

No.	Date	By	Revision
02	04/03/2021	dcb	LARGE FORMAT

NEXT STEP DESIGN
913 WEST ST.
ANNAPOLIS, MD 21401

SCALE: AS NOTED
 DATE: 04-03-2021
 DRAWN BY: DDB
 VH-INDI2



181	1 EA	V6B36S	RANGE
Ⓐ	260 MBTU	1.25	MANIFOLD
188	1 EA	V2B18B	RANGE
Ⓐ	140 MBTU	1.25	32 AFF
322	1 EA	2TR45CF	FRYER
Ⓐ	140 MBTU	1.25	12 AFF
Ⓩ	120 (1)	6.0A	5-15
326	1 EA	VGT24B	GRIDDLE
Ⓐ	60 MBTU	1.25	32 AFF
327	1 EA	V6B36S	RANGE
Ⓐ	260 MBTU	1.25	32 AFF
515	2 EA	IVH45A	FRYER
Ⓐ	70 MBTU	0.75	12 AFF
Ⓩ	120 (1)	6.0A	5-15
517	1 EA	V2B12B	RANGE
Ⓐ	70 MBTU	1.25	MANIFOLD
518	1 EA	VGT24B	GRIDDLE
Ⓐ	60 MBTU	1.25	32 AFF

GENERAL NOTES - PLEASE READ

VENTILATION:
 ALL COOKING EQUIPMENT MUST BE VENTILATED BY AN APPROVED APPLIANCE IN ACCORDANCE WITH ALL APPLICABLE CODES.

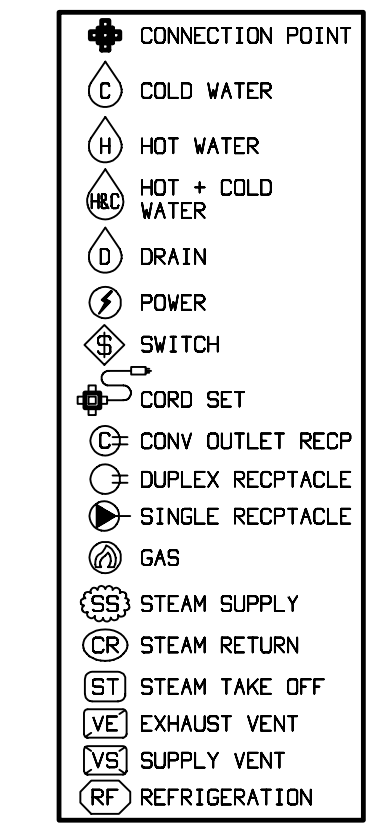
FIRE SUPPRESSION:
 ALL COOKING EQUIPMENT MUST BE PROTECTED BY AN APPROVED FIRE SUPPRESSION SYSTEM IN ACCORDANCE WITH ALL APPLICABLE CODES.

CONNECTIONS:
 ALL PIPING, FITTINGS, AND INTERCONNECTION SERVICES SHOWN ARE TO BE SUPPLIED AND INSTALLED BY LICENSED CONTRACTORS IN ACCORDANCE WITH ALL LOCAL CODES.

GAS CONNECTIONS:
 EXTERNAL GAS REGULATORS, FLEXIBLE GAS LINES AND RESTRAINING CABLES PROVIDED WITH THE EQUIPMENT MUST BE INSTALLED BY LICENSED CONTRACTORS IN ACCORDANCE WITH ALL LOCAL CODES. INCOMING GAS MANIFOLD SUPPLY PRESSURE MUST NOT EXCEED 0.5 PSI (4" W.C.)

BY OTHERS:
 VERIFY ALL EQUIPMENT LISTED AS BY OTHERS FOR SIZE AND MECHANICAL SERVICE REQUIREMENTS.

NOTE:
 IN LINE WITH THE POLICY TO CONTINUALLY IMPROVE ITS PRODUCTS, THE MANUFACTURER RESERVE THE RIGHT TO CHANGE MATERIALS AND SPECIFICATIONS WITHOUT NOTICE.



04-02-2021

PROJECT CODE
INDI2