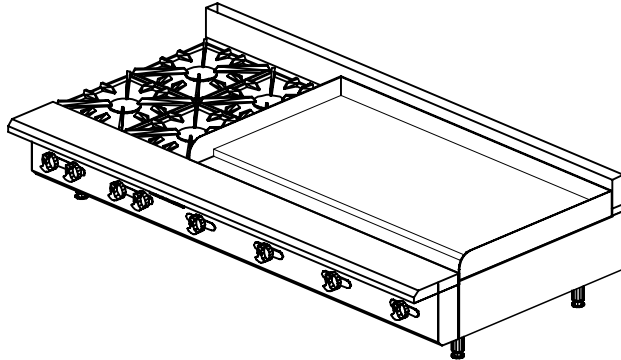


HEAVY DUTY COOKING**VULCAN****HEAVY DUTY GAS RANGE
72" WIDE GAS COMBINATION**

⊕ Range Assembly

V4B24	24"	Range
TGRD48	48"	Griddle
V0VER-72ST	72"	Stub Riser
FRTTOP-72WLD	72"	Front Rail
		4" Legs

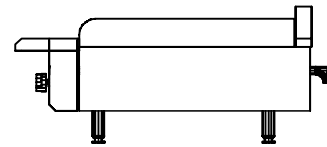
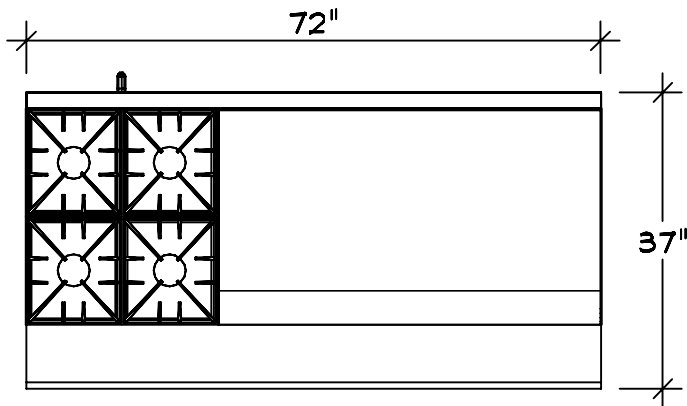
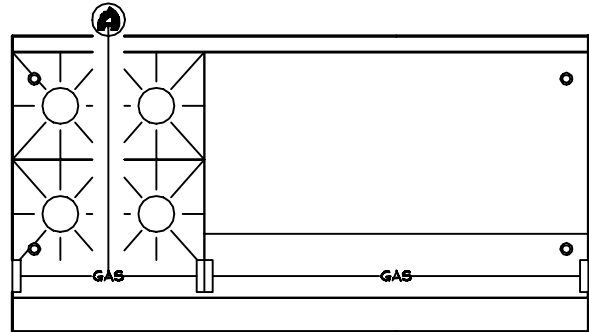
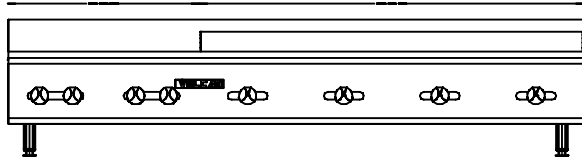
- ⊕ Vulcan V Series Heavy Duty Range
 Stainless steel front, top front ledge, sides,
 base, burner box, rear risers and high shelves.
 6" adjustable legs or 4" flanged feet, standard
 1-1/4" front gas manifold, CSA, NSF
 1 year limited parts and labor warranty

VULCAN

HEAVY DUTY COOKING

VULCAN

HEAVY DUTY GAS RANGE
72" WIDE GAS COMBINATION



Model	Description	BTU	Pipe_Size
TGRD48	GRIDDLE	120,000	1-1/4"
V4b24	RANGE	140,000	1-1/4"

VULCAN