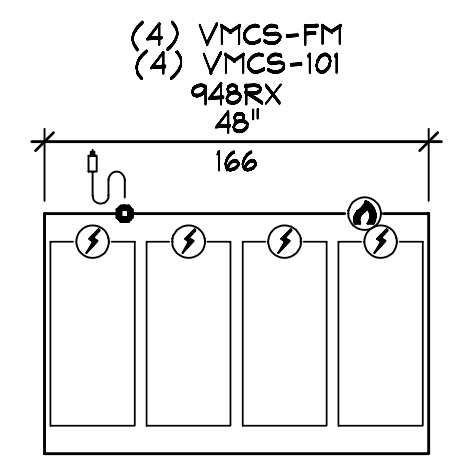
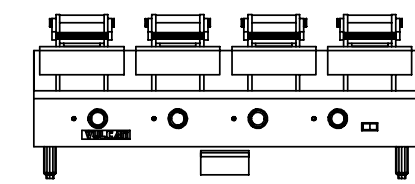
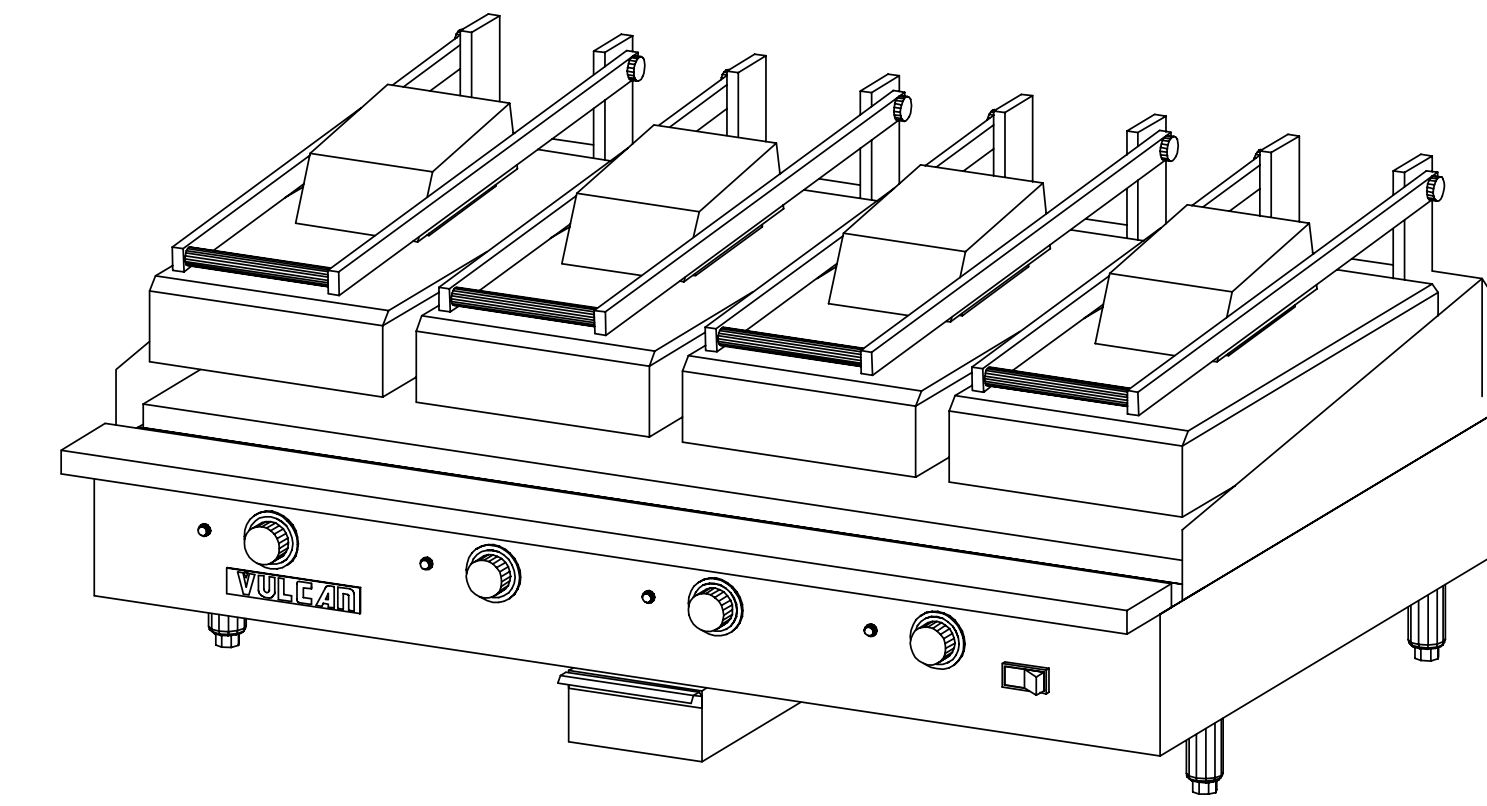
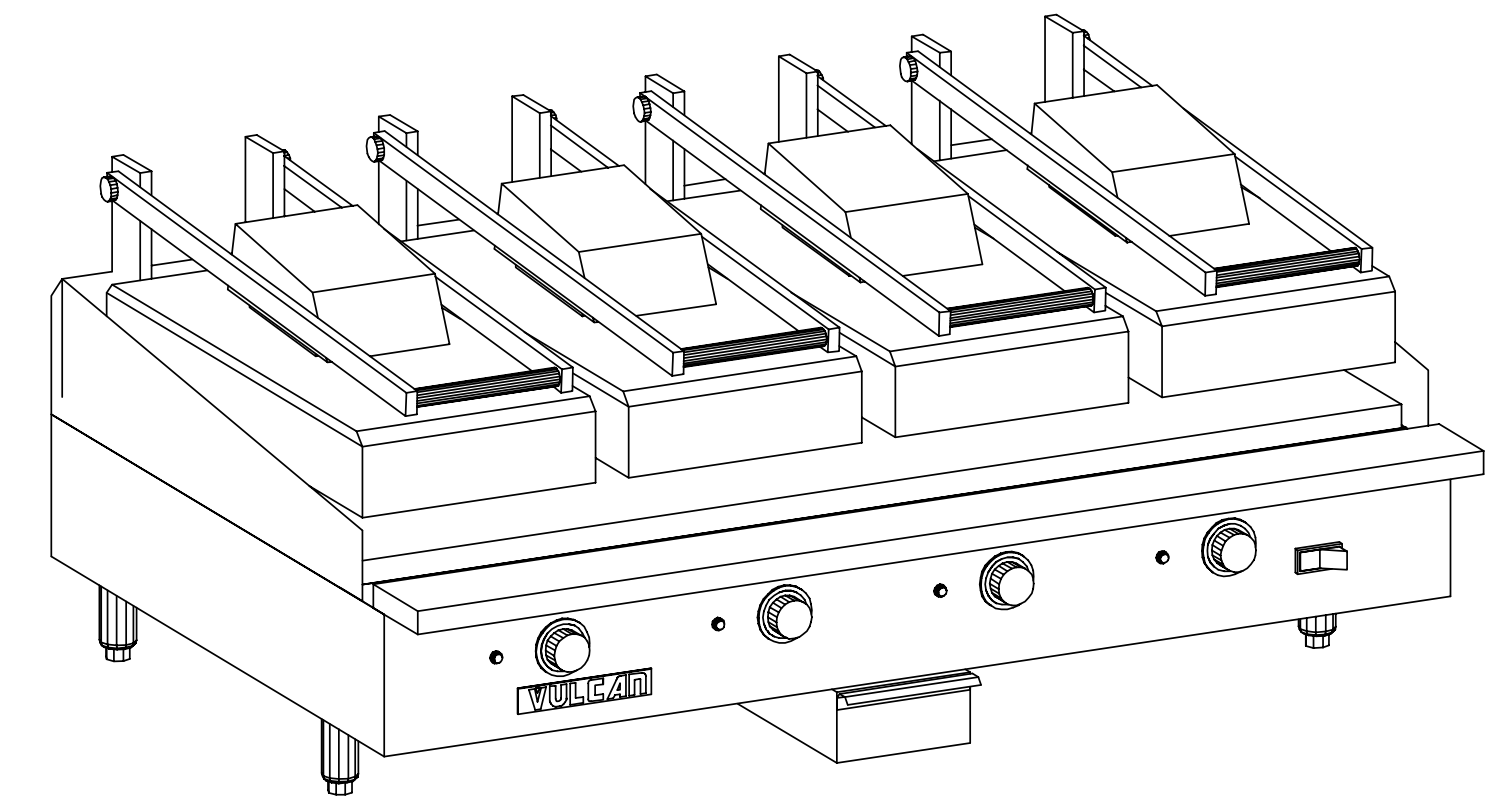
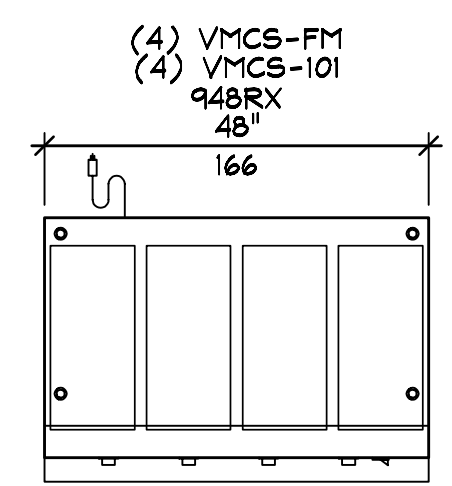


GAMMA
 ITEM 166

No.	Date	By	Revision
09	12/01/2021	dcb	948RX Modified

NEXT STEP DESIGN
913 WEST ST.
ANNAPOLIS, MD 21401

SCALE: AS NOTED
 DATE: 12/01/2021
 DRAWN BY: DDB
 VH-GAMM9



166	1 EA	948RX	GRIDDLE	COUNTER
108	1	0.75	30 AFF	
120	(1)	1.0A	5-15	CONTROLS
4 EA	VMCS		GRIDDLE TOPS	
200	(1)	17.3A		DEDICATED CIRCUITS
4 EA	VMCS-FM		MOUNTING FRAME	

GENERAL NOTES - PLEASE READ

VENTILATION:
 ALL COOKING EQUIPMENT MUST BE VENTILATED BY AN APPROVED APPLIANCE IN ACCORDANCE WITH ALL APPLICABLE CODES.

FIRE SUPPRESSION:
 ALL COOKING EQUIPMENT MUST BE PROTECTED BY AN APPROVED FIRE SUPPRESSION SYSTEM IN ACCORDANCE WITH ALL APPLICABLE CODES.

CONNECTIONS:
 ALL PIPING, FITTINGS, AND INTERCONNECTION SERVICES SHOWN ARE TO BE SUPPLIED AND INSTALLED BY LICENSED CONTRACTORS IN ACCORDANCE WITH ALL LOCAL CODES.

GAS CONNECTIONS:
 EXTERNAL GAS REGULATORS, FLEXIBLE GAS LINES AND RESTRAINING CABLES PROVIDED WITH THE EQUIPMENT MUST BE INSTALLED BY LICENSED CONTRACTORS IN ACCORDANCE WITH ALL LOCAL CODES. INCOMING GAS MANFOLD SUPPLY PRESSURE MUST NOT EXCEED 0.5 PSI (4" W.C.)

BY OTHERS:
 VERIFY ALL EQUIPMENT LISTED AS BY OTHERS FOR SIZE AND MECHANICAL SERVICE REQUIREMENTS.

NOTE:
 IN LINE WITH THE POLICY TO CONTINUALLY IMPROVE ITS PRODUCTS, THE MANUFACTURER RESERVE THE RIGHT TO CHANGE MATERIALS AND SPECIFICATIONS WITHOUT NOTICE.

◆	CONNECTION POINT
○	COLD WATER
△	HOT WATER
⊕	HOT + COLD WATER
⊖	DRAIN
⊙	POWER
⊚	SWITCH
⊛	CORD SET
⊜	CONV OUTLET RECP
⊝	DUPLEX RECP/TACLE
⊞	SINGLE RECP/TACLE
⊟	GAS
⊠	STEAM SUPPLY
⊡	STEAM RETURN
⊢	STEAM TAKE OFF
⊣	EXHAUST VENT
⊤	SUPPLY VENT
⊥	REFRIGERATION

12-01-2021

PROJECT CODE
GAMM9