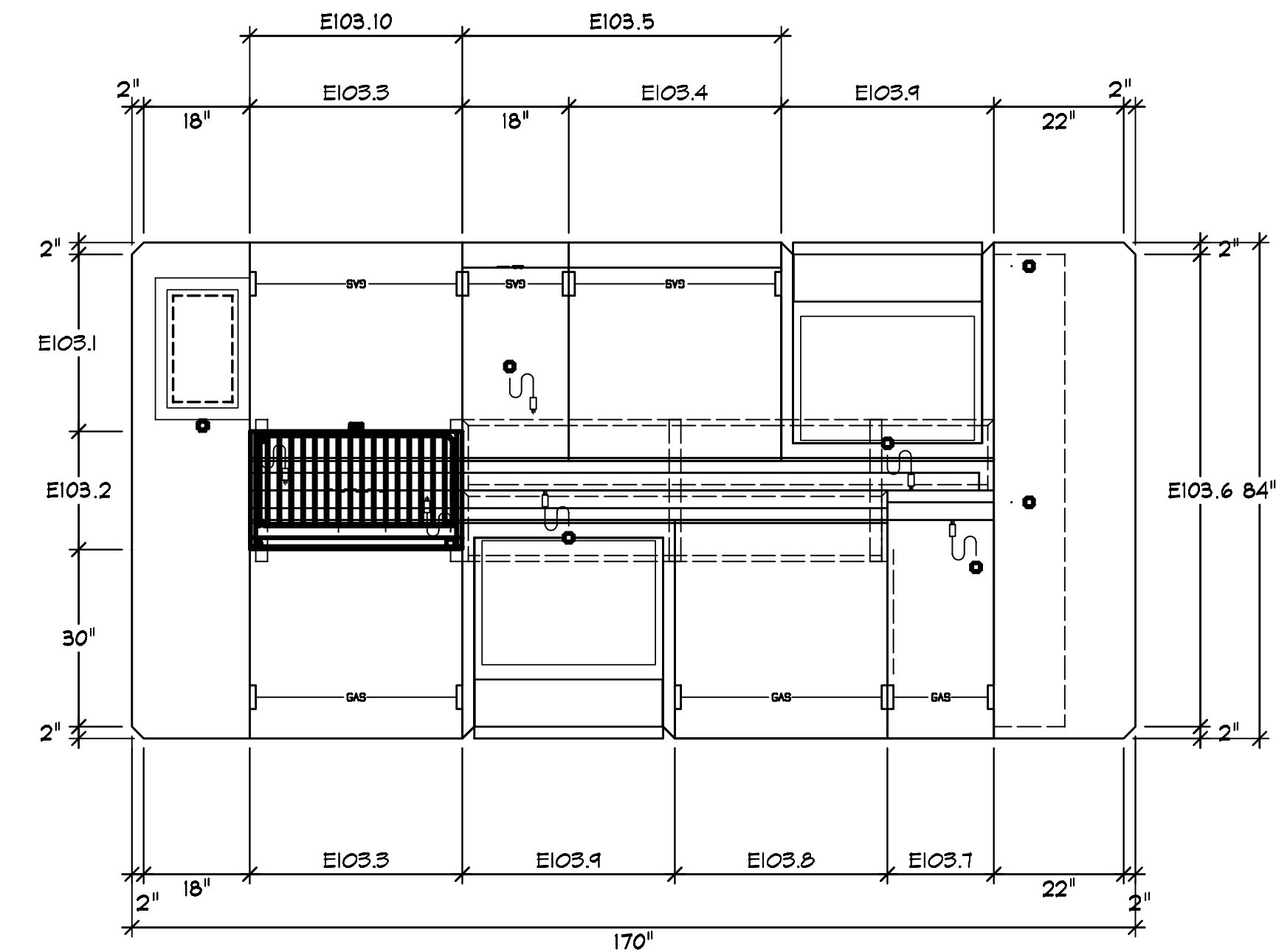
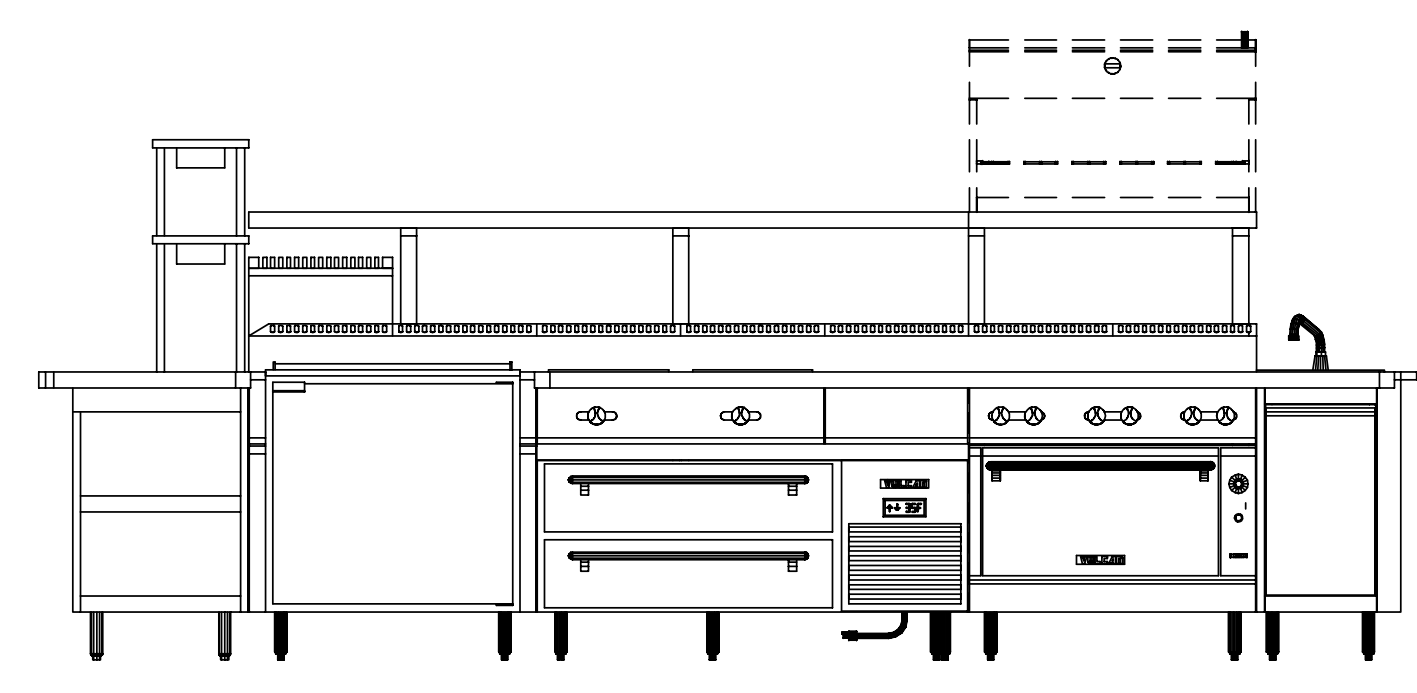
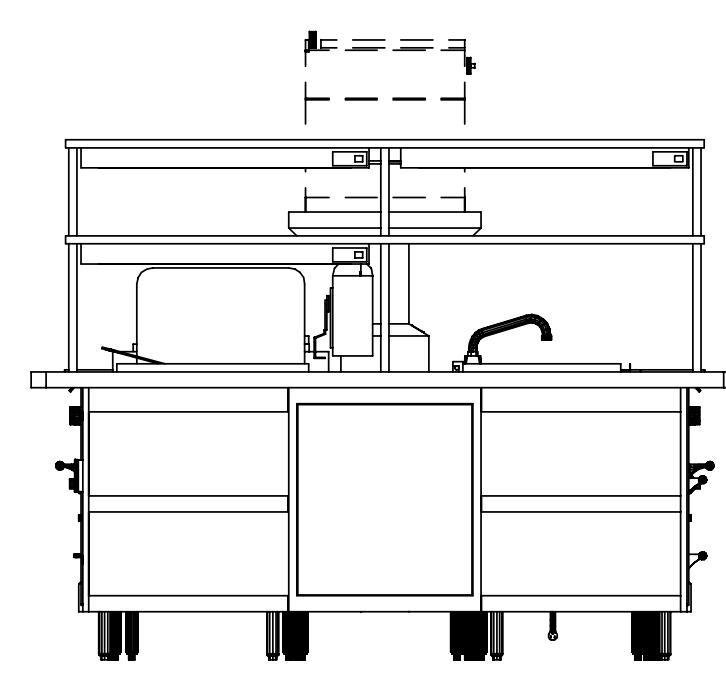
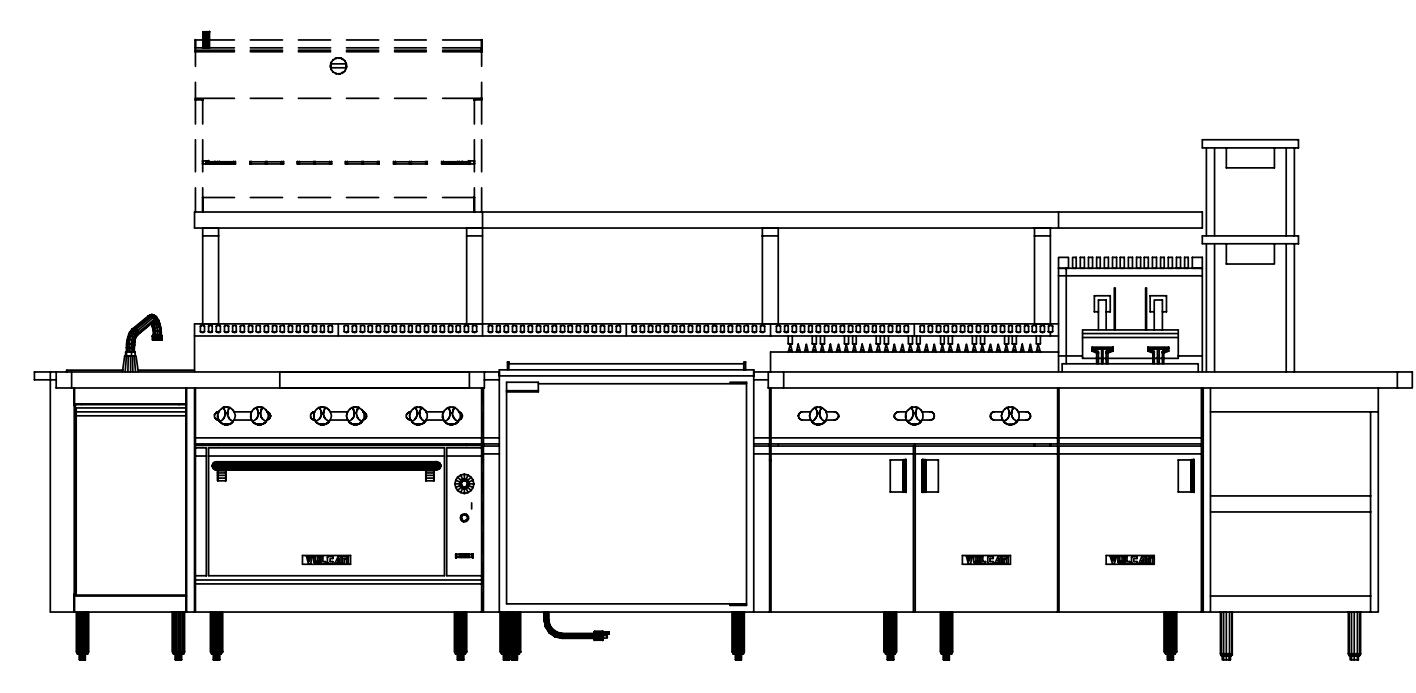
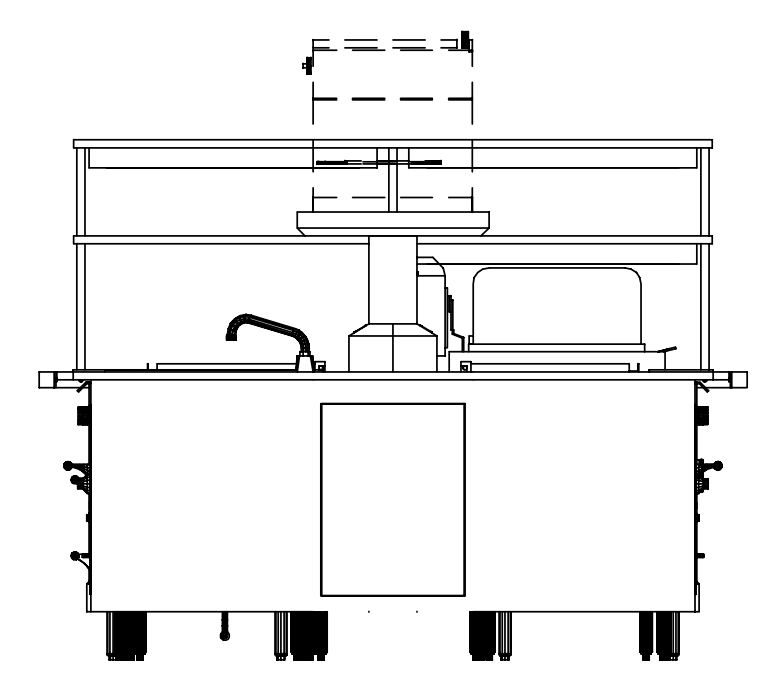
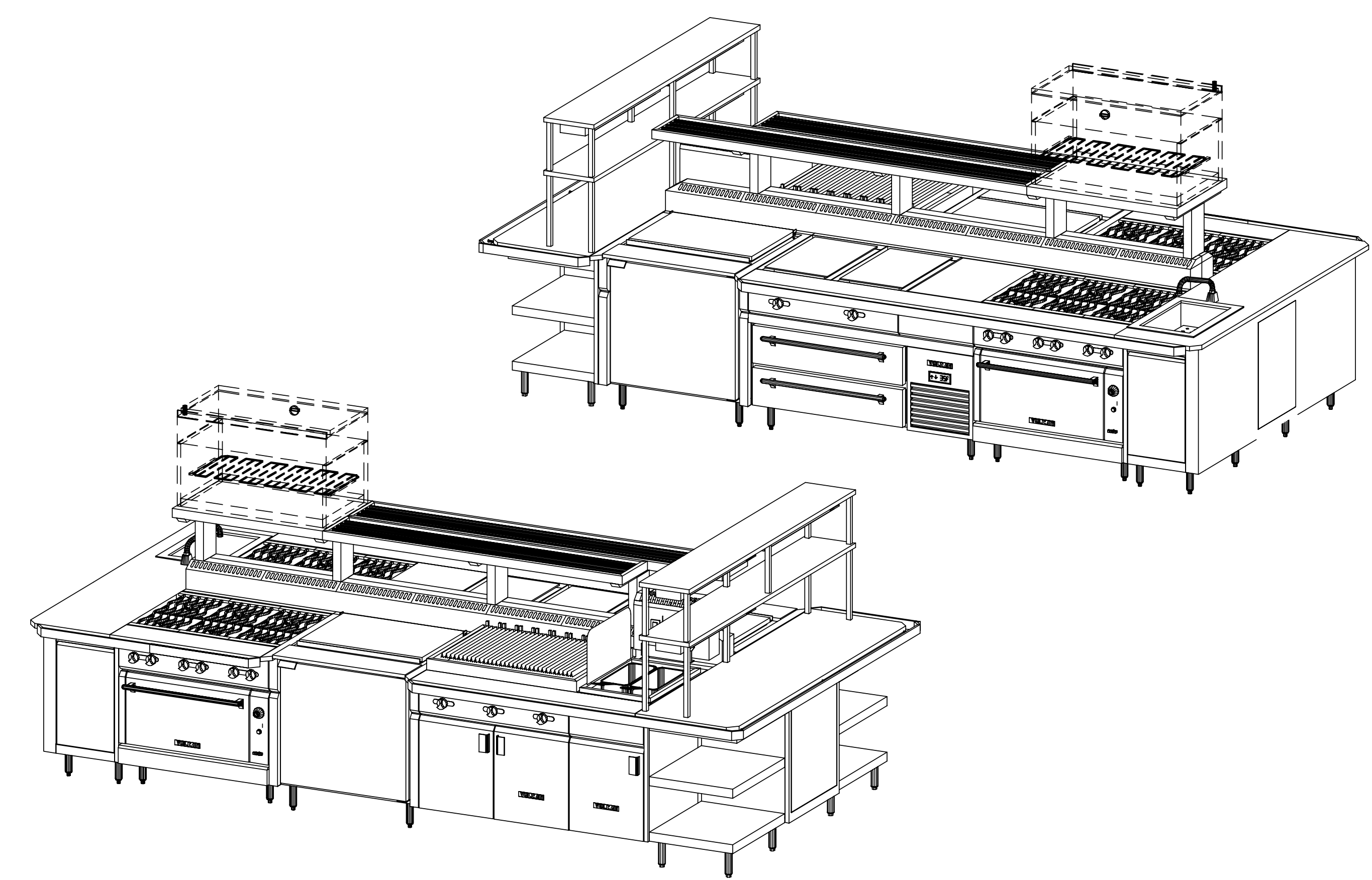
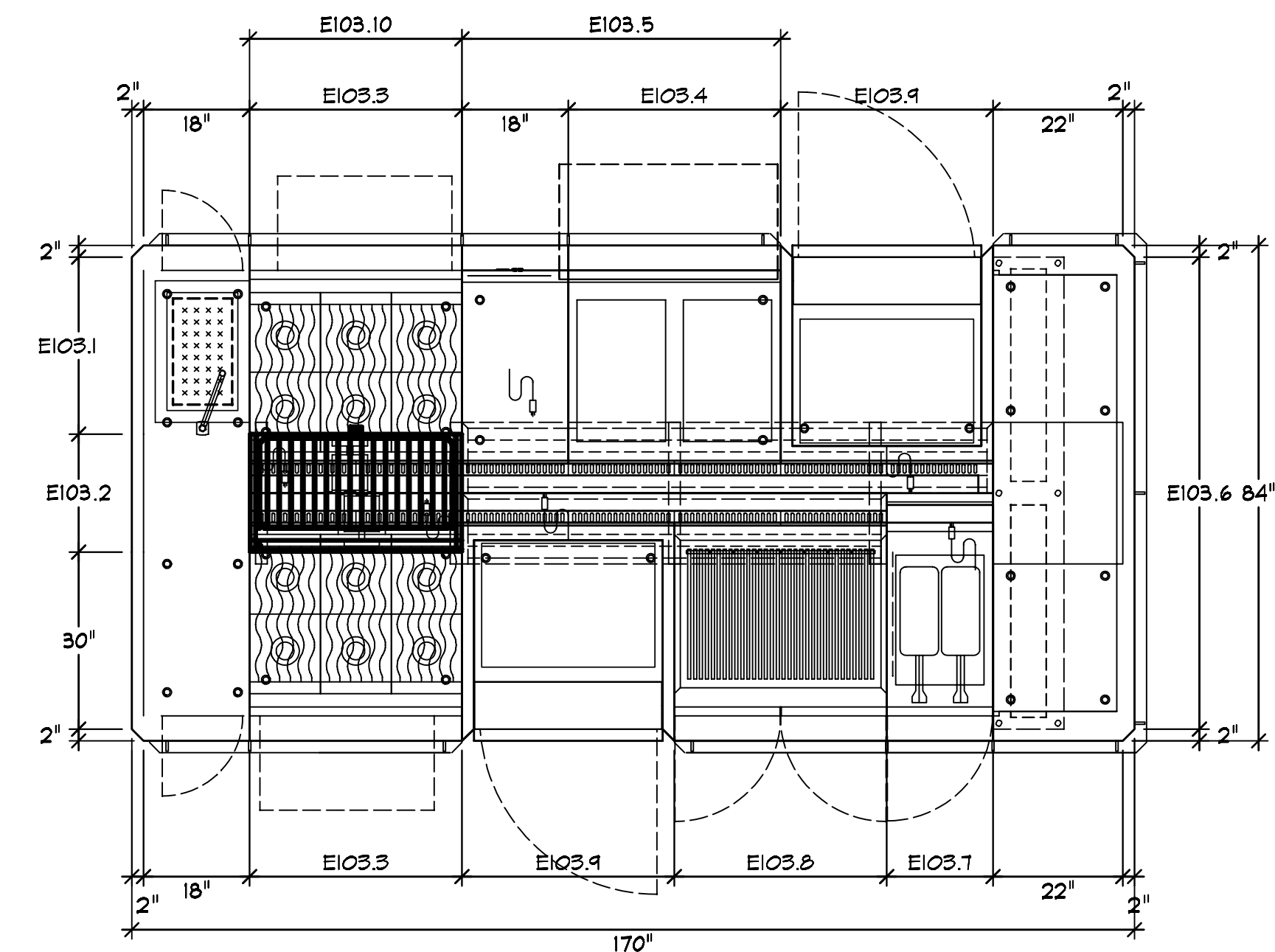


REVISIONS	
No.	Date
01	05/08/2021
	By: ddb
	CLONED



E103.1	1 EA	MOD100	HOT WELL
⊕	208 (1)	6.0A	16 AFF
IW	0.50		26 AFF
E103.2	1 EA	B-208	FAUCET
CW	0.50		34 AFF
E103.46	2 EA	V6B36C	RANGE
⊕	242 MBTU	1.25	32 AFF
⊕	120 (1)	4.0A	5-15
E103.4	1 EA	V2P36	PLANCHA
⊕	35 MBTU	0.75	32 AFF
E103.5	1 EA	REF	REFRIGERATED BASE
⊕	120 (1)	7.7A	5-15
E103.6	3 EA	GRAH36	HEAT STRIP
⊕	208 (1)	3.8A	16 AFF
E103.7	1 EA	VFRY18	FRYER
⊕	70 MBTU	1.25	12 AFF
⊕	120 (1)	3.0A	5-15
E103.8	1 EA	VCB836B	CHAR BROILER
⊕	99 MBTU	1.25	MANIFOLD
E103.9	2 EA	UST3212	SANDWICH UNIT
⊕	120 (1)	7.5A	5-15
E103.10	1 EA	RDCM-36	CHEESE MELTER
⊕	35 MBTU	0.75	78 AFF

GENERAL NOTES - PLEASE READ

VENTILATION:
 ALL COOKING EQUIPMENT MUST BE VENTILATED BY AN APPROVED APPLIANCE IN ACCORDANCE WITH ALL APPLICABLE CODES.

FIRE SUPPRESSION:
 ALL COOKING EQUIPMENT MUST BE PROTECTED BY AN APPROVED FIRE SUPPRESSION SYSTEM IN ACCORDANCE WITH ALL APPLICABLE CODES.

CONNECTIONS:
 ALL PIPING, FITTINGS, AND INTERCONNECTION SERVICES SHOWN ARE TO BE SUPPLIED AND INSTALLED BY LICENSED CONTRACTORS IN ACCORDANCE WITH ALL LOCAL CODES.

GAS CONNECTIONS:
 EXTERNAL GAS REGULATORS, FLEXIBLE GAS LINES AND RESTRAINING CABLES PROVIDED WITH THE EQUIPMENT MUST BE INSTALLED BY LICENSED CONTRACTORS IN ACCORDANCE WITH ALL LOCAL CODES. INCOMING GAS MANIFOLD SUPPLY PRESSURE MUST NOT EXCEED 0.5 PSI (4" W.C.)

BY OTHERS:
 VERIFY ALL EQUIPMENT LISTED AS BY OTHERS FOR SIZE AND MECHANICAL SERVICE REQUIREMENTS.

NOTE:
 IN LINE WITH THE POLICY TO CONTINUALLY IMPROVE ITS PRODUCTS, THE MANUFACTURERS RESERVE THE RIGHT TO CHANGE MATERIALS AND SPECIFICATIONS WITHOUT NOTICE.

⊕	CONNECTION POINT
⊕	COLD WATER
⊕	HOT WATER
⊕	HOT + COLD WATER
⊕	DRAIN
⊕	POWER
⊕	SWITCH
⊕	CORD SET
⊕	CONV. OUTLET RECP
⊕	DUPLEX RECP/TACLE
⊕	SINGLE RECP/TACLE
⊕	GAS
⊕	STEAM SUPPLY
⊕	STEAM RETURN
⊕	STEAM TAKE OFF
⊕	EXHAUST VENT
⊕	SUPPLY VENT
⊕	REFRIGERATION

026-08-2021