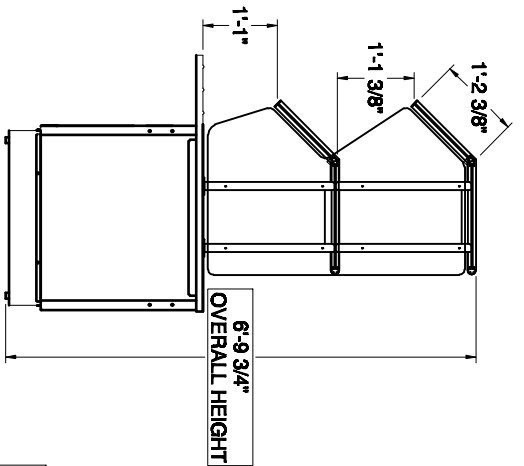
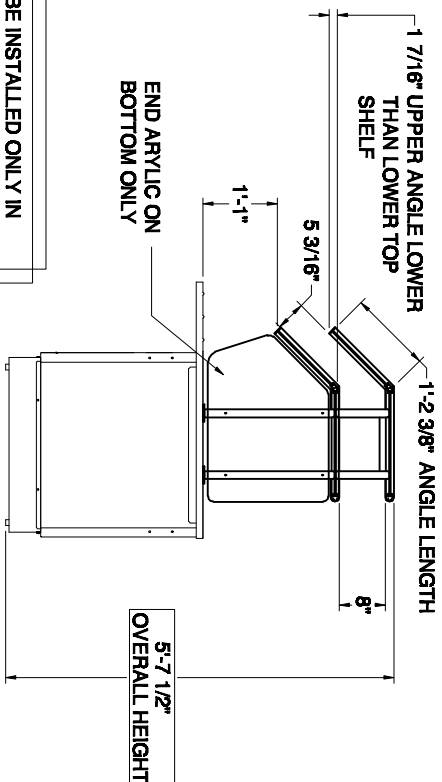


REV: NAME: DESCRIPTION:

IF WE WERE TO KEEP THE UPPER ANGLED GLASS AT THE EXISTING LENGTH AS THEY ARE BUILT NOW

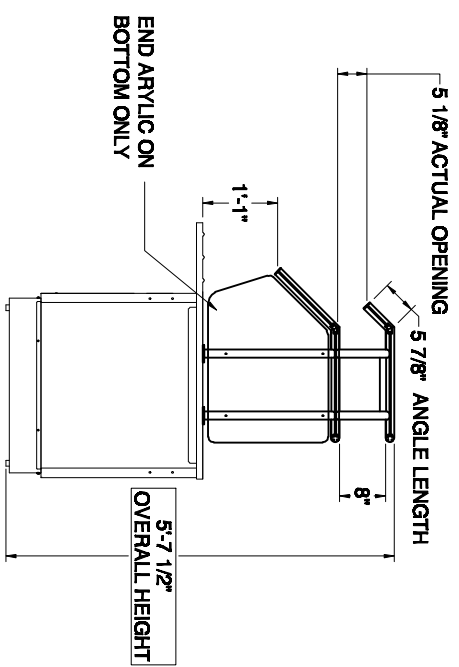


EXISTING BREATHGUARD

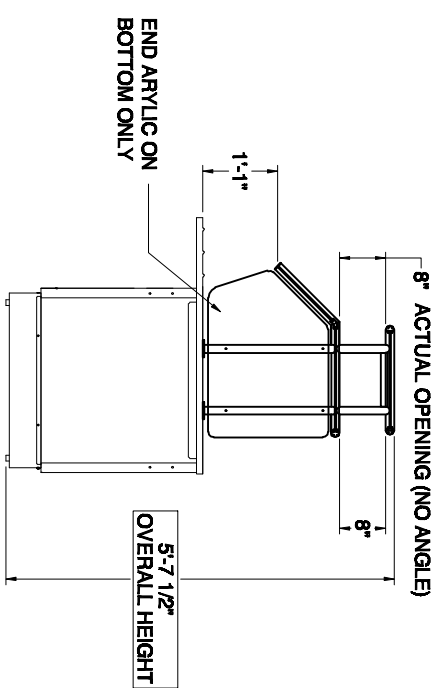


OPTION "A"

LED TO BE INSTALLED ONLY IN THE TOP PORTION ON THE BREATH GUARD ON ALL OPTIONS



OPTION "B"
SHORTENED ANGLE GLASS



OPTION "C"
NO ANGLE GLASS

Dimensions for reference only. Critical dimensions should be brought to the attention of the sales person. Corsair Display Systems, LLC. reserves the right to make changes without notice. CONFIDENTIAL: This document contains information confidential and proprietary to Corsair Display Systems, LLC. This document shall not be reproduced or transferred to other documents without the written consent of Corsair Display Systems, LLC. It is the customer's responsibility to check all entry ways, building, vending and local health codes before ordering.

E:\Vollrath\22048 City Center DC

UL APPROVED
BUILT TO NSF
STANDARDS

REF: 19859-6

Date: 7/05/2018

Scale: 3/8" = 1'-0"

Drawn By: TMR

Vollrath
City Center DC Hotel
VU30 Utility Unit - Breath Guard Options

Eng. _____

Eled. _____

Proj. Mng. _____

Qty. _____

Customer Approval: _____



22046-2B